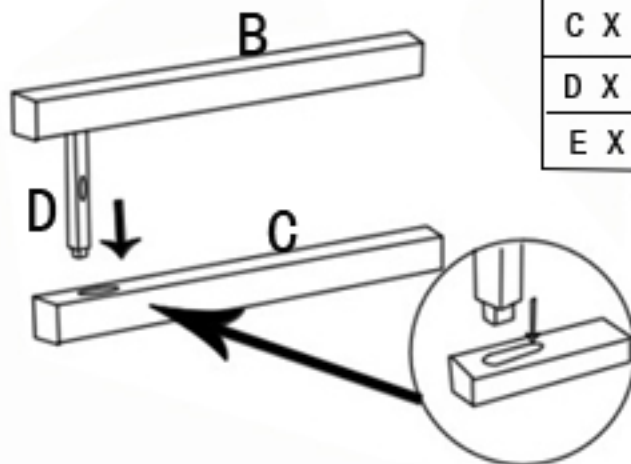


F X8PC	Gx8PC	M6	H X2PC



1



A X 1

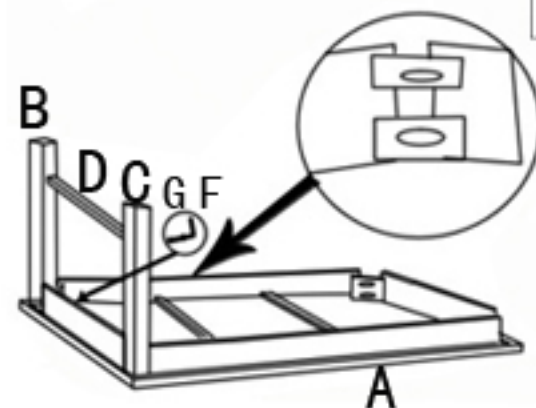
B X 2

C X 2

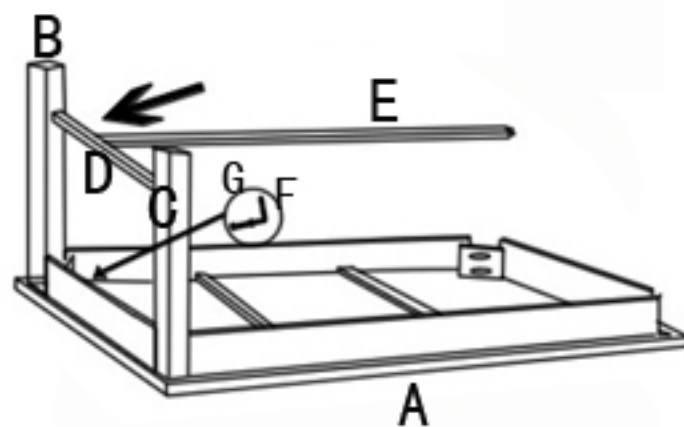
D X 2

E X 1

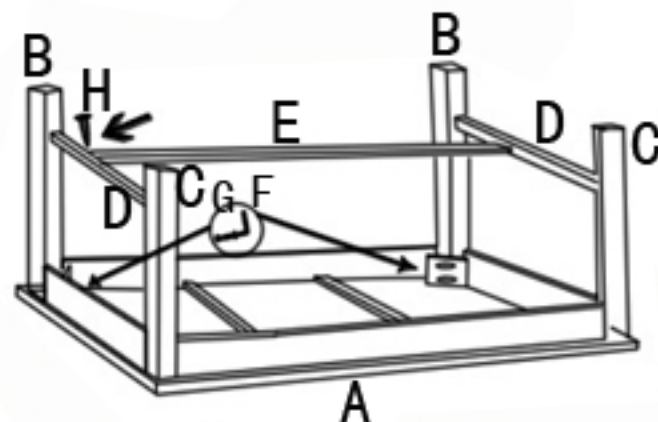
2



3



4



MAX 60kgs



100%

Wood from well-managed forests

FSC® C112614