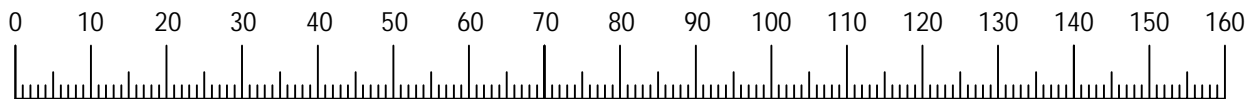
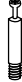


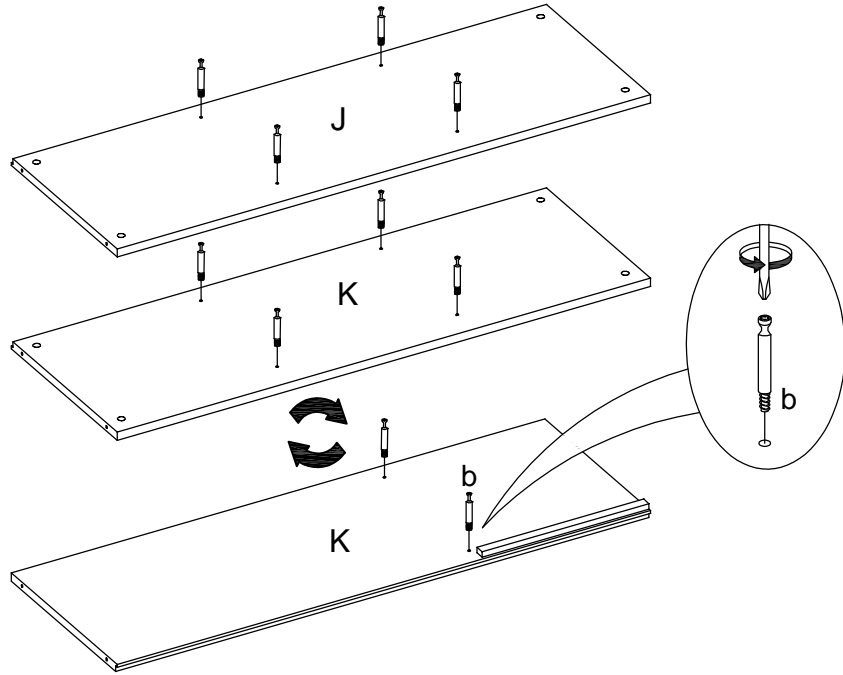
 AX1	 BX4	 CX1	 DX4
 EX1	 FX1	 GX1	 HX1
 JX1	 KX1	 LX1	 MX2
 NX1	 OX1	 PX1	 QX1
 RX1	 SX1	 TX1	

 a X 22	 b X 22	M4X35MM  c X 16	 d X 3	M4X18MM  e X 3	 f X 12	M3X12MM  g X 27
M3X15MM  h X 1	 j X 1	 k X 1	 m X 7	M4X15MM  n X 42	M6X12MM  o X 34	 p X 1

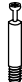


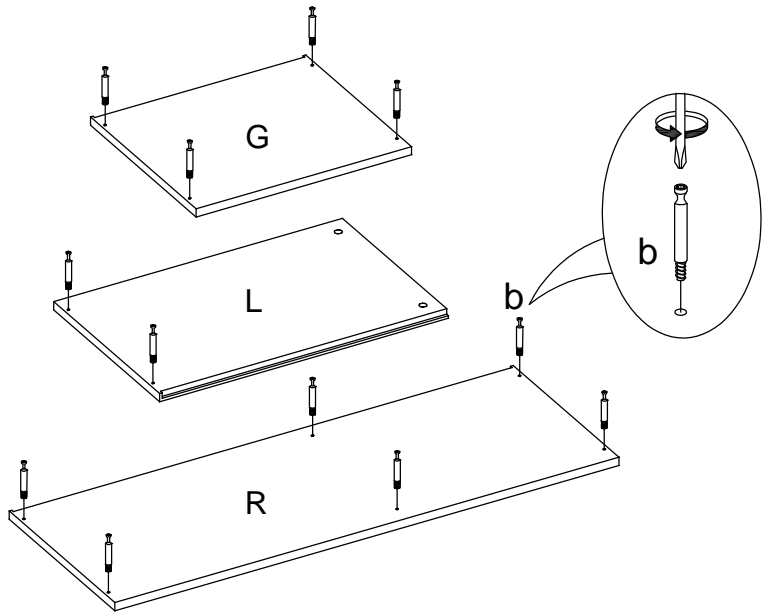
1

 b X 10




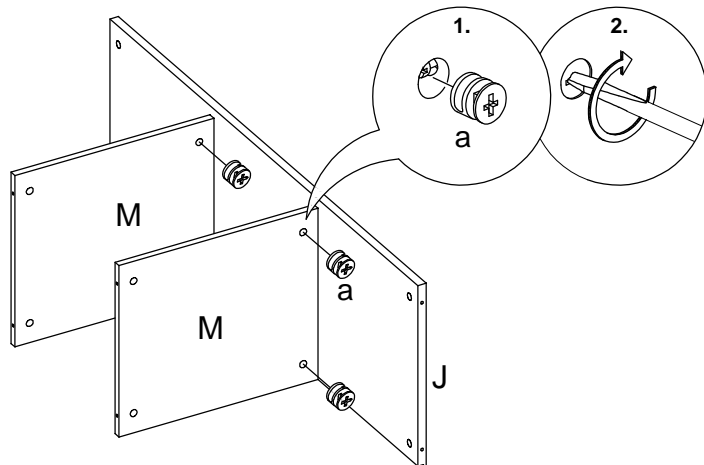
2

 b X 12



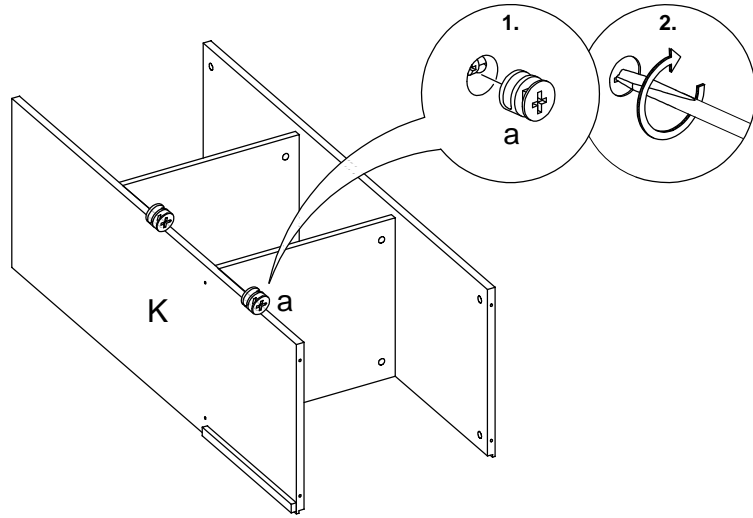
3

 a X 4




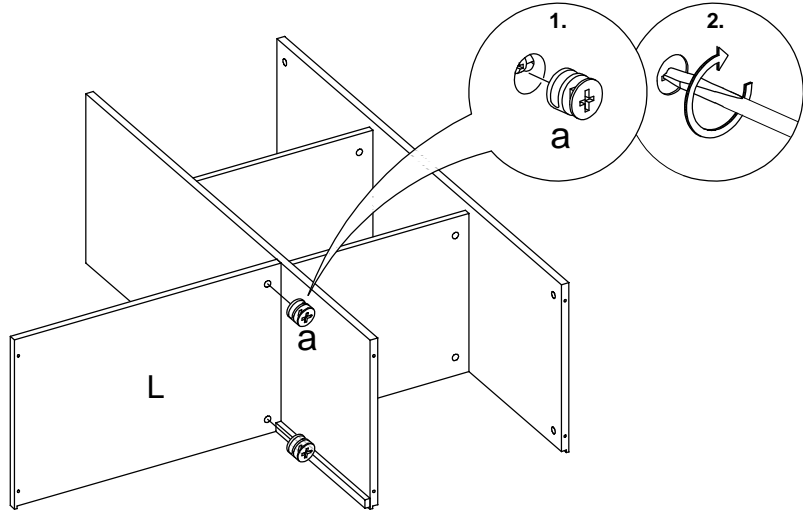
4

 a X 4





5

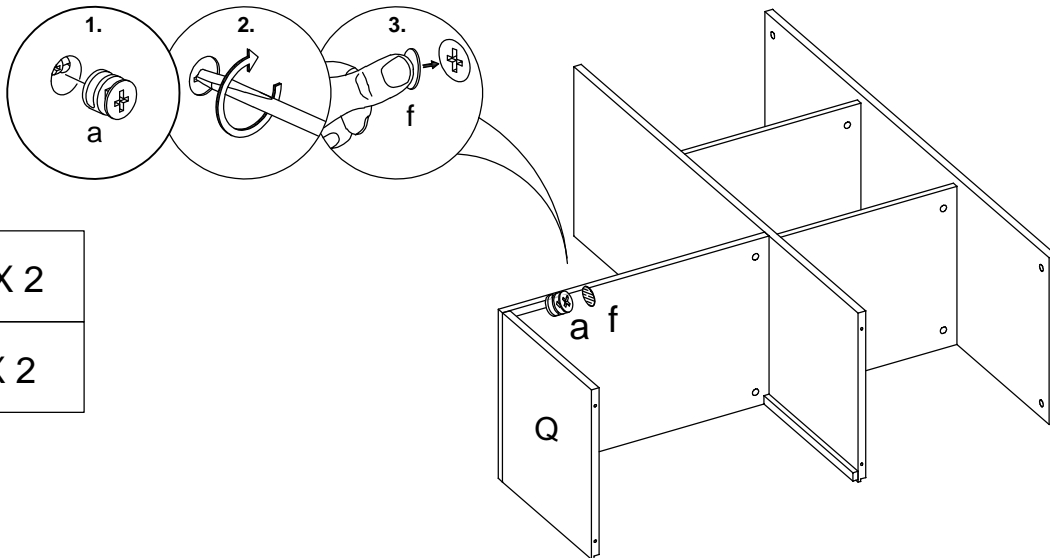
 a X 2





6

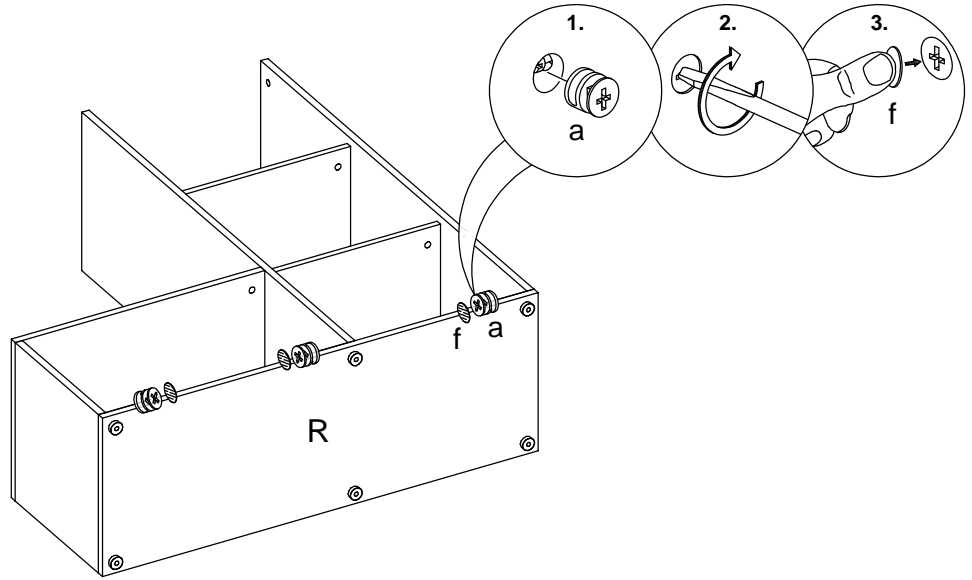
 a X 2

 f X 2





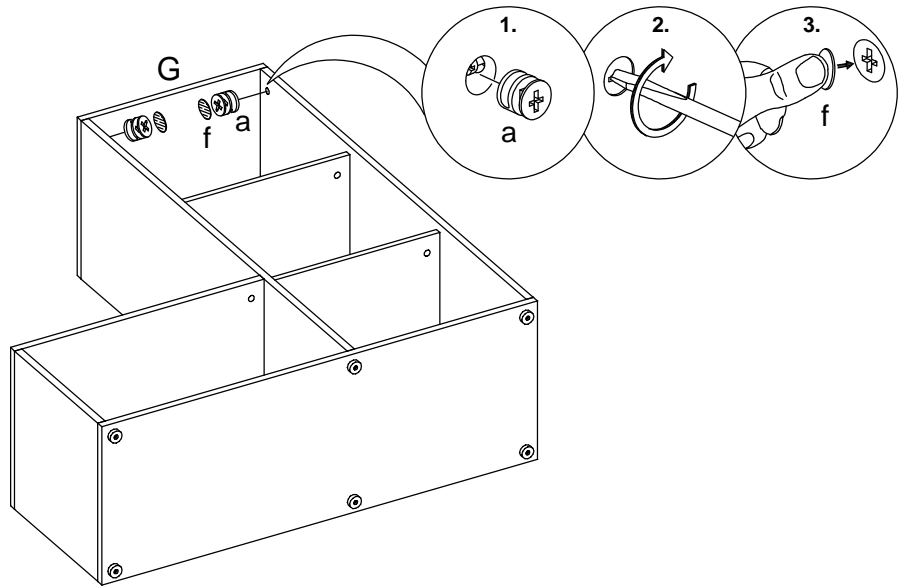
7

-  a X 6
-  f X 6





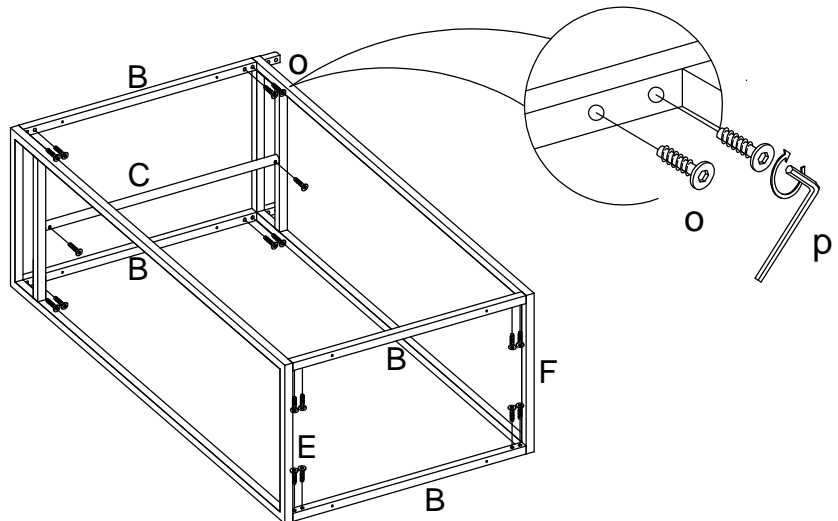
8

-  a X 4
-  f X 4





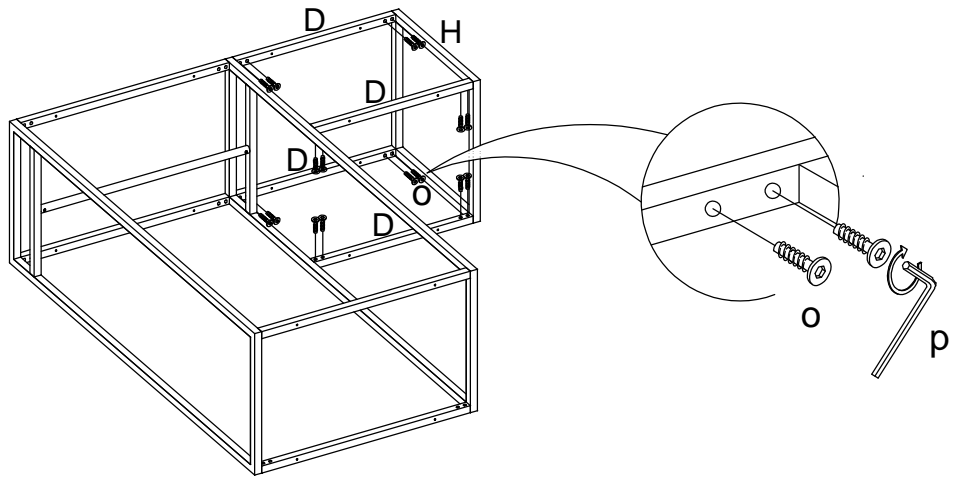
9

-  p X 1
- M6X12MM
-  o X 18




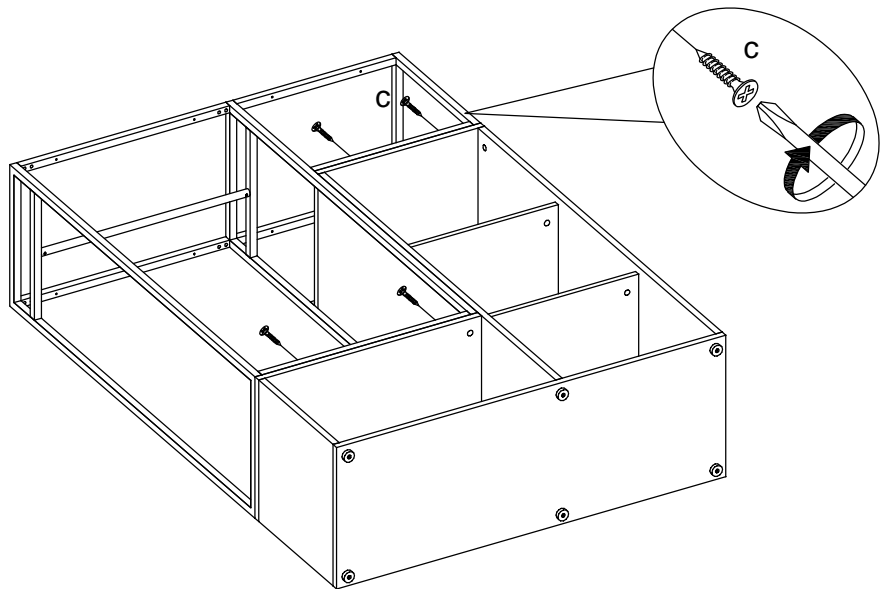
10

 p X 1  
M6X12MM  
 o X 16




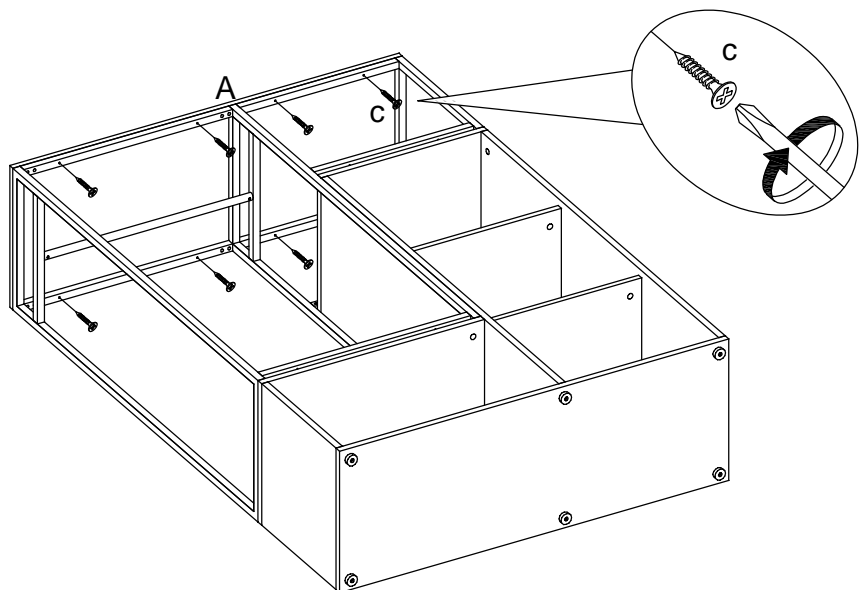
11

M4X35MM  
 c X 8



12

M4X35MM  
 c X 8



13

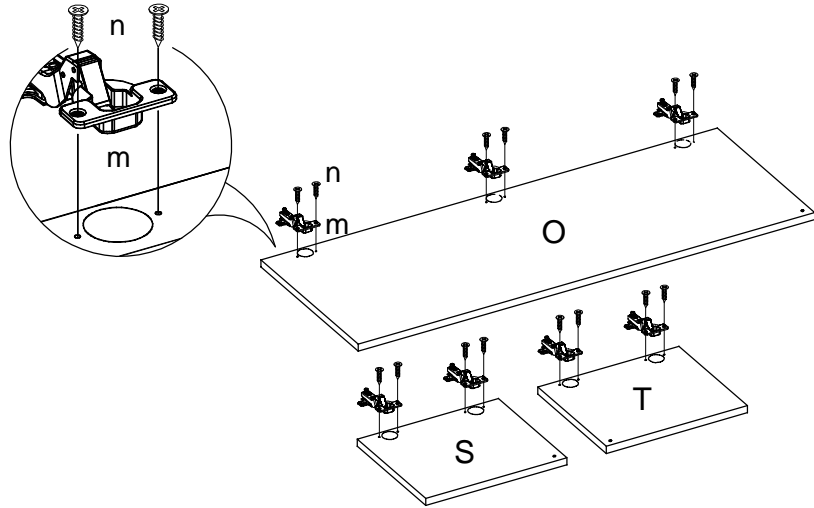
M4X15MM



n X 14



m X 7



14

M4X15MM



n X 28

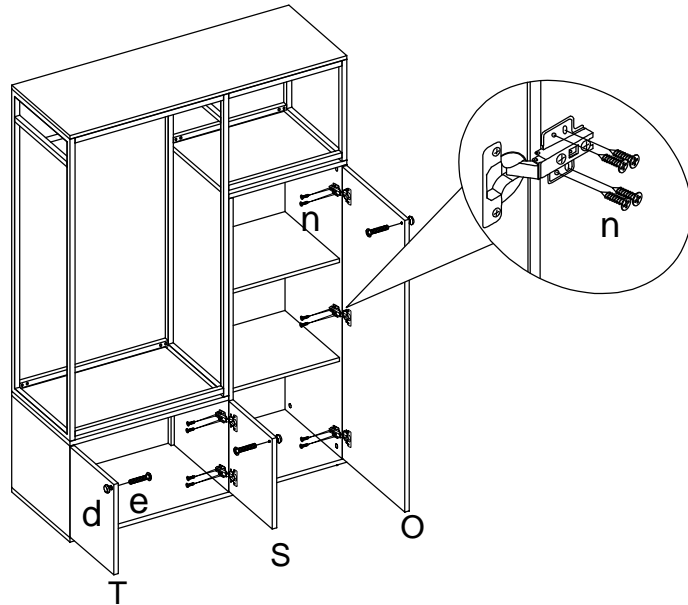


d X 3

M4X18MM



e X 3



15

M3X12MM



g X 27

M3X15MM



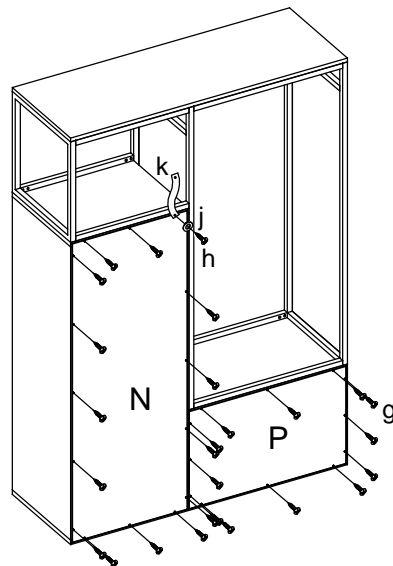
h X 1



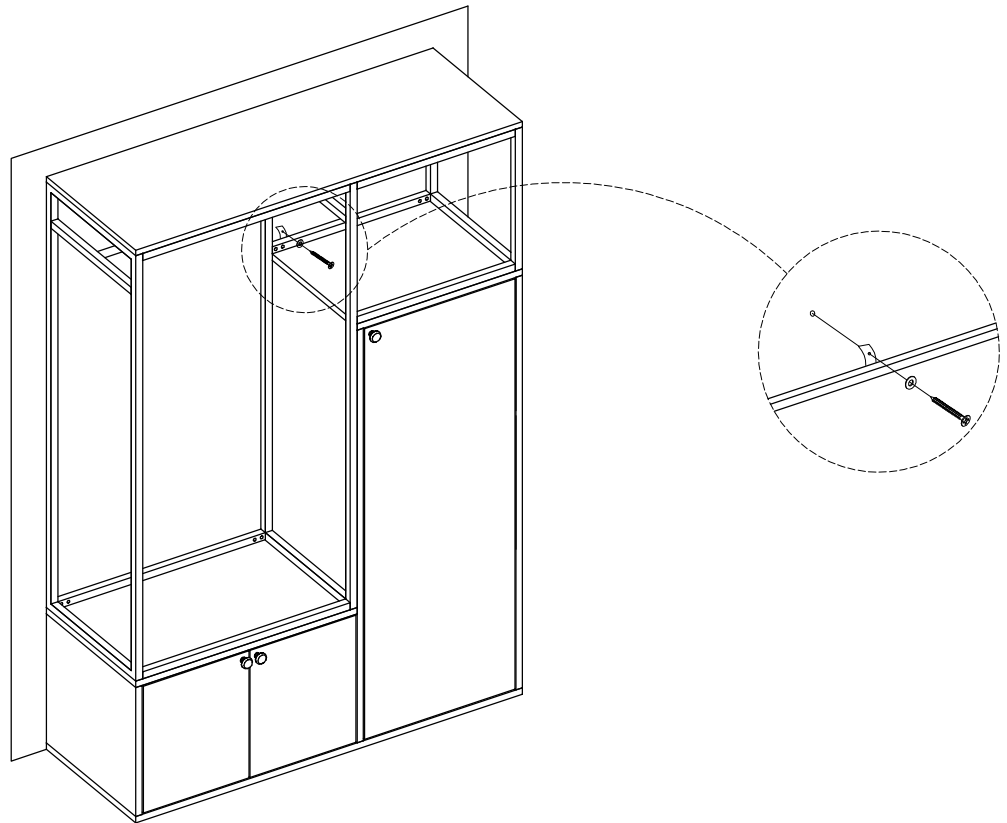
j X 1



k X 1



16



17

- Türen einstellen (Scharniere justieren)**
- Adjusting the doors (adjusting the hinges)**
- Régler les portes (ajuster les charnières)**
- Sistemare le porte (regolare le cerniere)**
- Deuren instellen (scharnieren afstellen)**
- Nastawi drzwi (wyregulowa zawiasy)**
- Vyrovnejte dví ka (se i te záv sy)**
- Nastavenie dverí (nastavenie závesov)**
- állítsa be az ajtókat (állítsa be a zsanérokot)**
- Reglare u i (ajustare balamale)**
- Kaplarn ayarlanmas (mente elerin seviye ayar )**
- Регулировка дверей (регулировка шарнира)**

