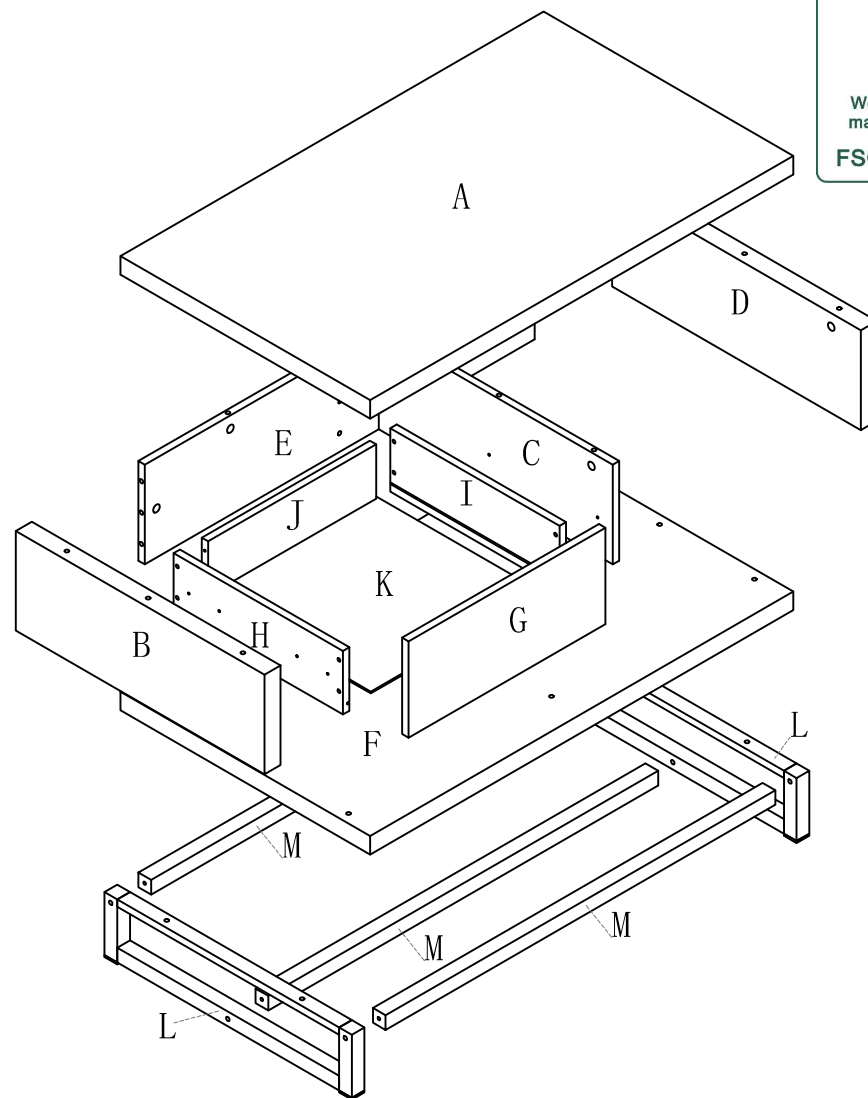
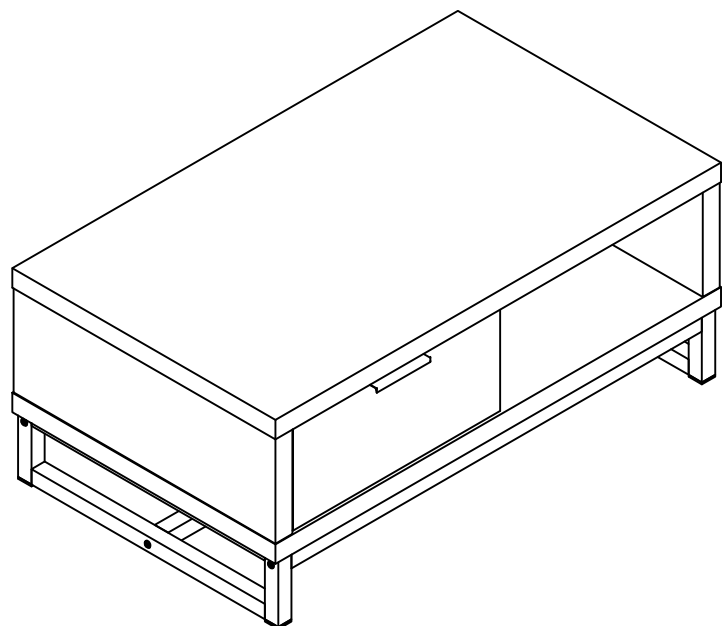


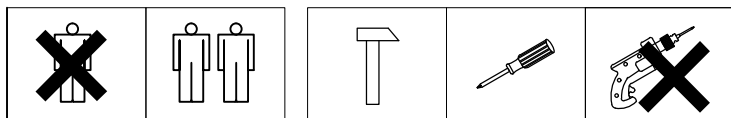
 **bonprix.**

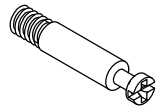
942876




FSC
 www.fsc.org
 100%
 Wood from well-
 managed forests
 FSC® C187780

A	x	1
B	x	1
C	x	1
D	x	1
E	x	1
F	x	1
G	x	1
H	x	1
I	x	1
J	x	1
K	x	1
L	x	2
M	x	3

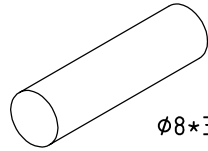




a x 11(+1)

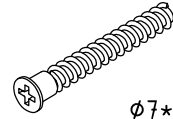


b x 11(+1)



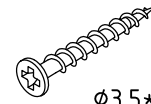
φ8*30

c x 20(+2)



φ7*58

d x 8(+1)



φ3.5*38

e x 4



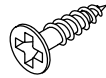
φ4*16

f x 4



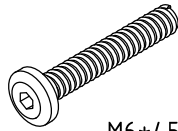
φ4*12

g x 4



φ3.5*14

h x 10(+1)



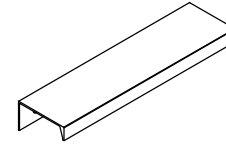
M6*45

i x 6(+1)

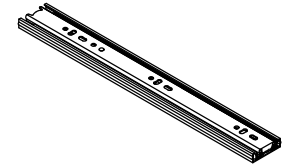


M6*30

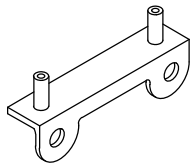
j x 4



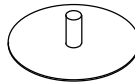
k x 1



l x 2



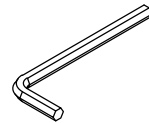
m x 2



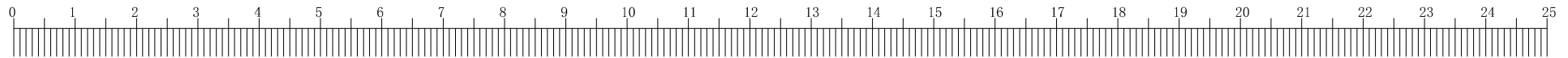
n x 1



o x 2

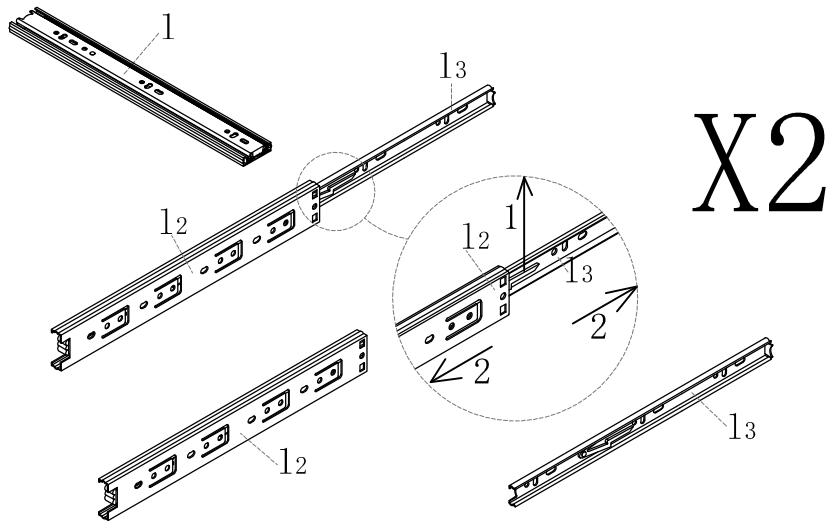


p x 1



1 x 2

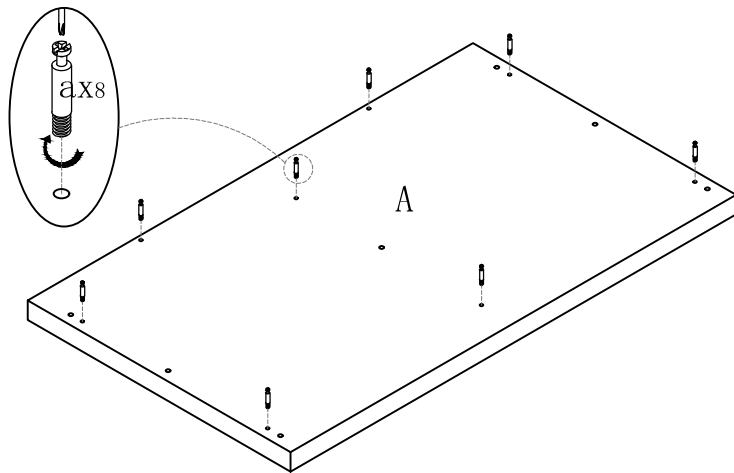
1



X2

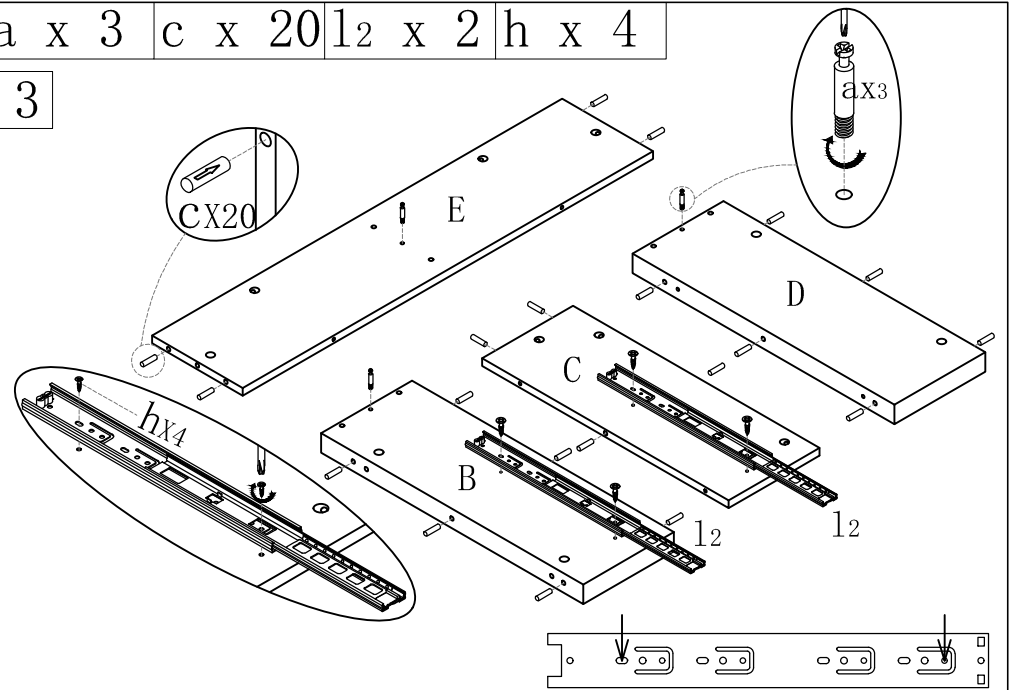
a x 8

2



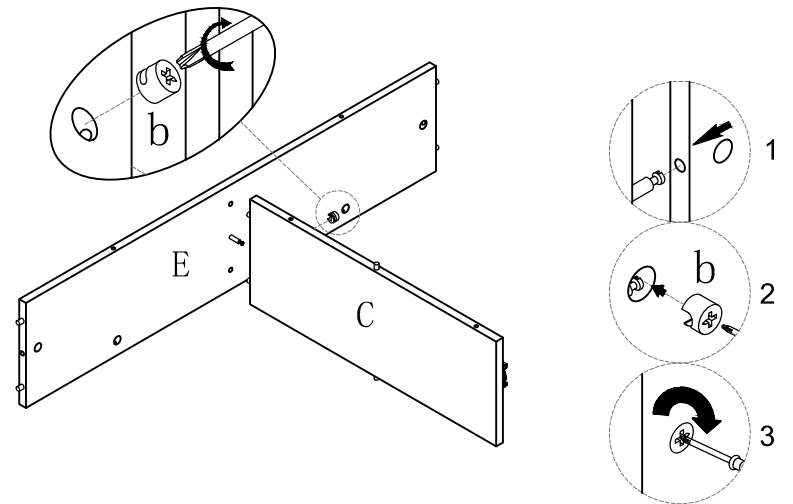
a x 3 | c x 20 | l2 x 2 | h x 4

3



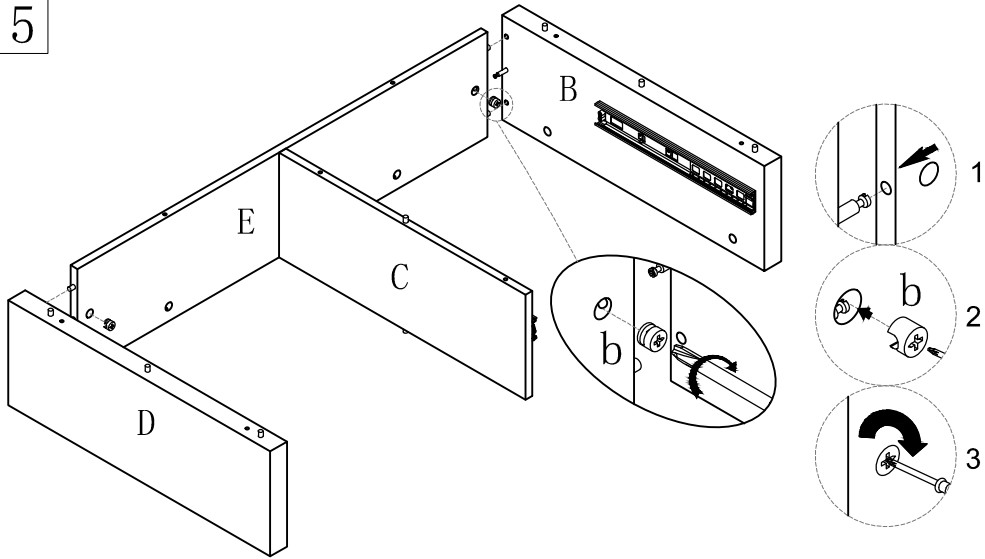
b x 1

4



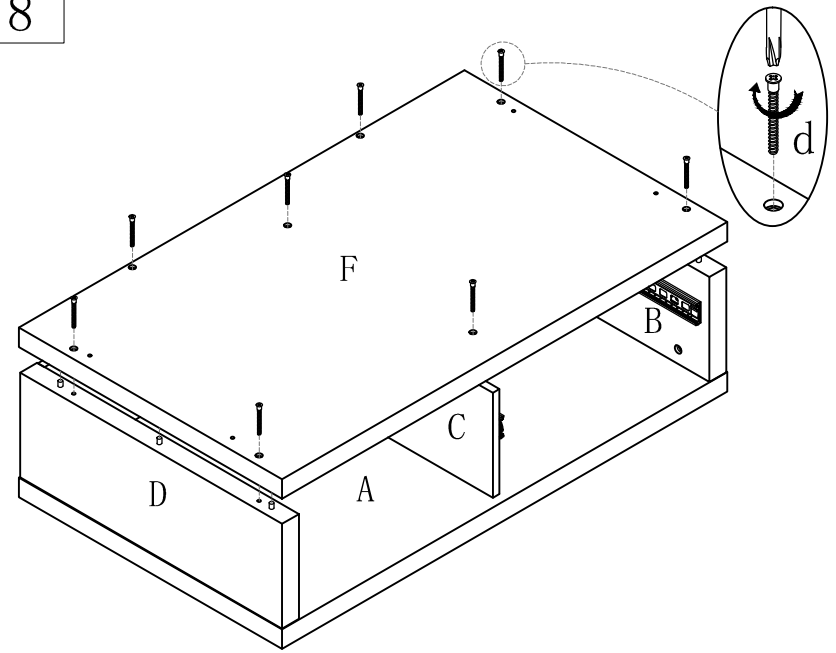
b x 2

5



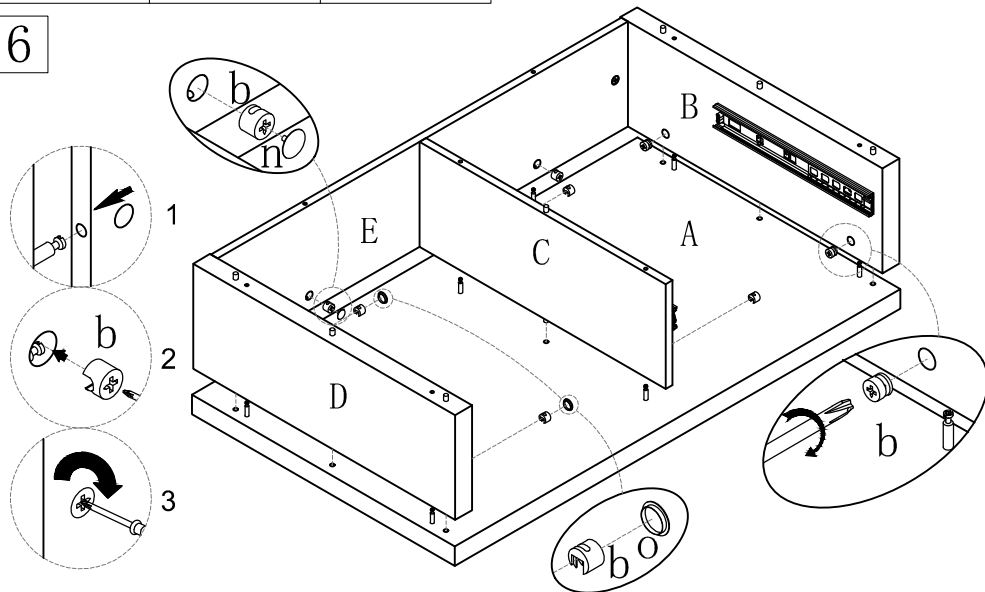
d x 8

7



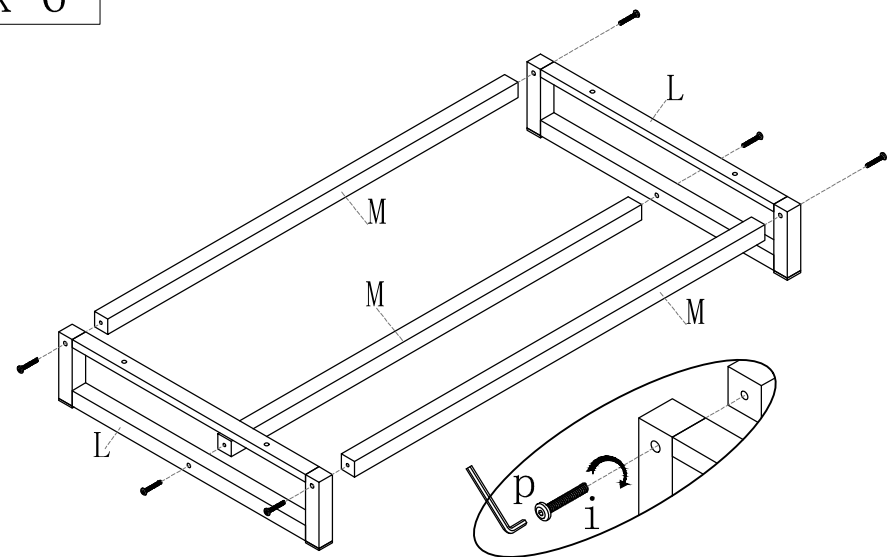
b x 8 n x 1 o x 2

6



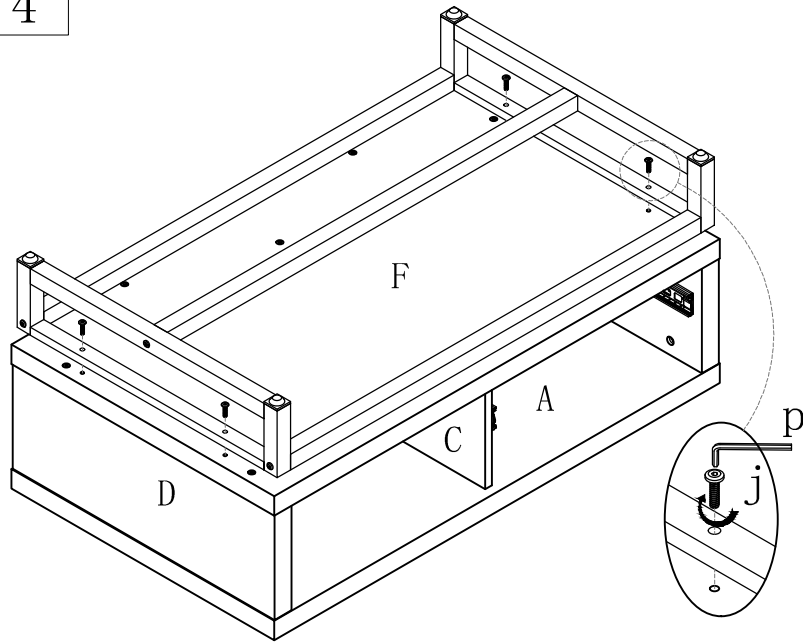
i x 6

8



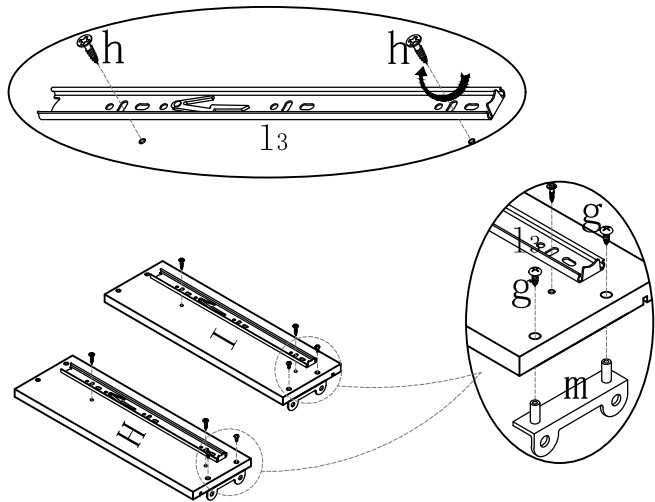
j x 4

9



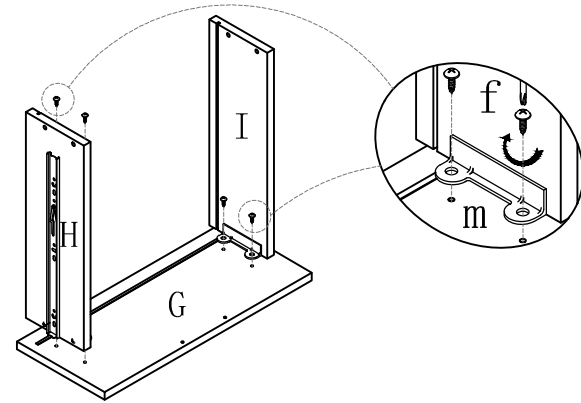
g x 4 | h x 4 | l3 x 2 | m x 2

10

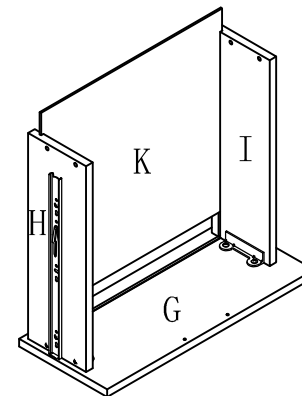


f x 4

11

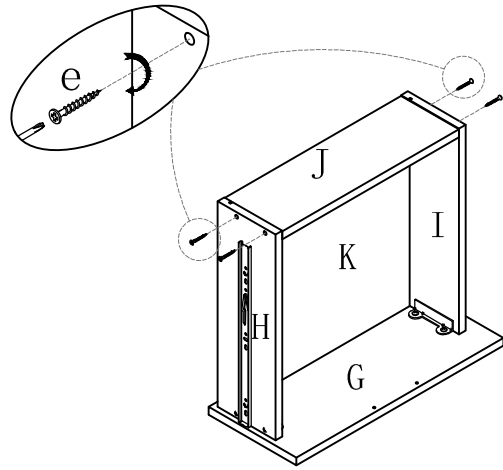


12



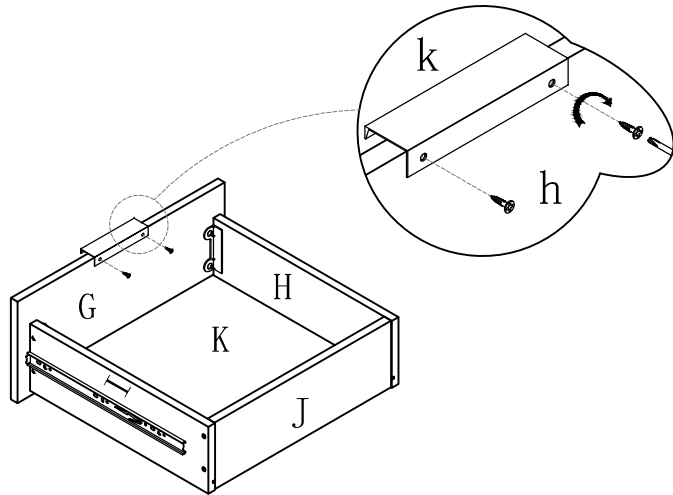
e x 4

13

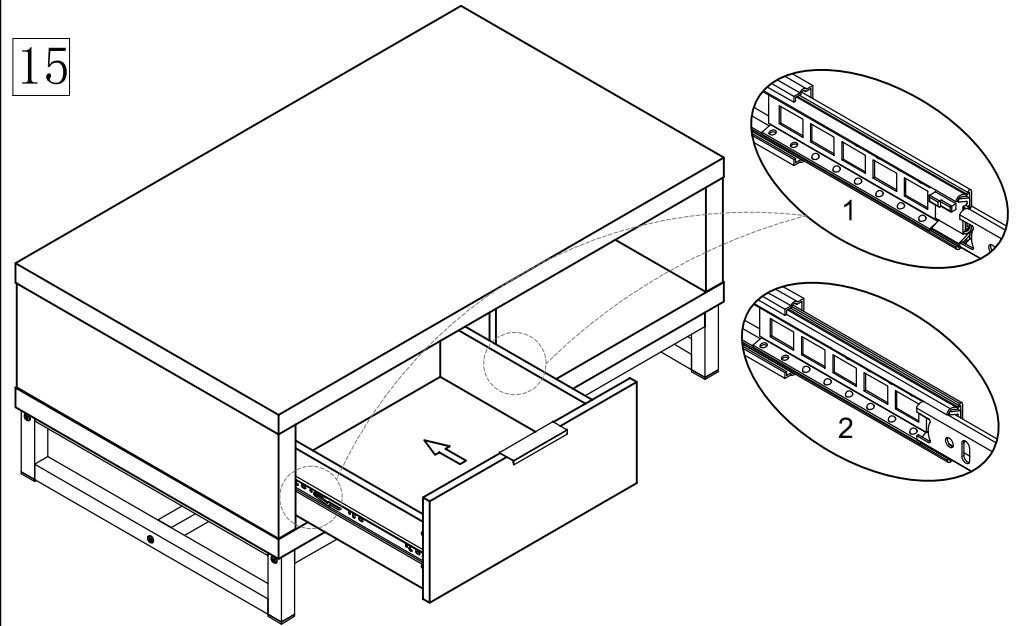


h x 2 | k x 1

14



15



16

