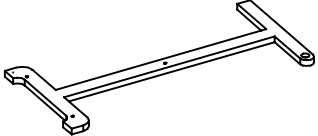

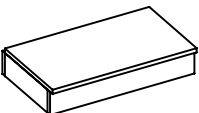
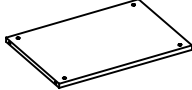
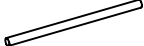
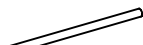





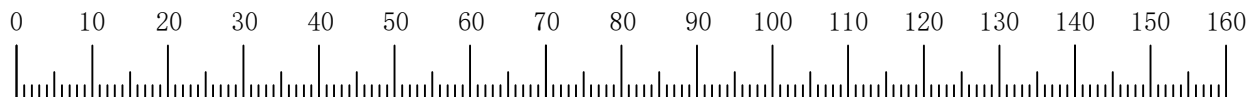
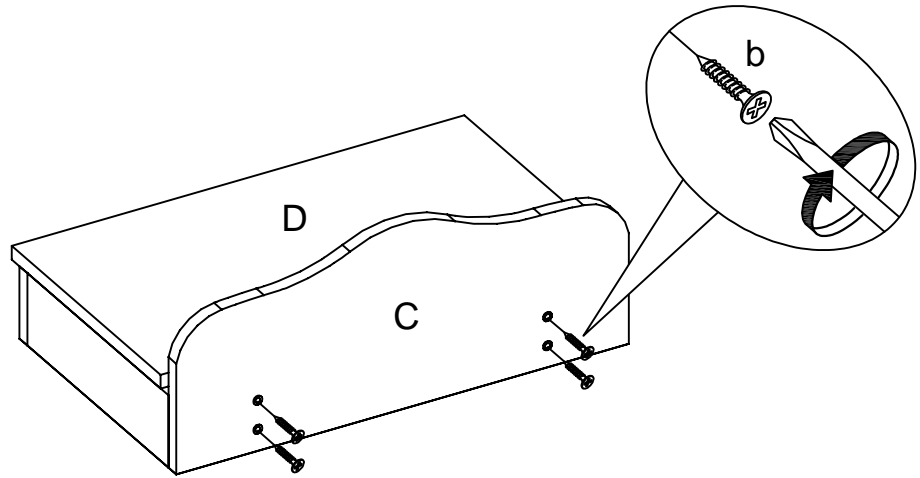
 A X 1	 B X 1	 C X 1		
 D X 1	 E X 1	 F X 1	 G X 1	
M6X45MM  a X 10	M4X25MM  b X 4	 c X 4	 d X 6	 e X 1



1



b X 4



2



a X 6



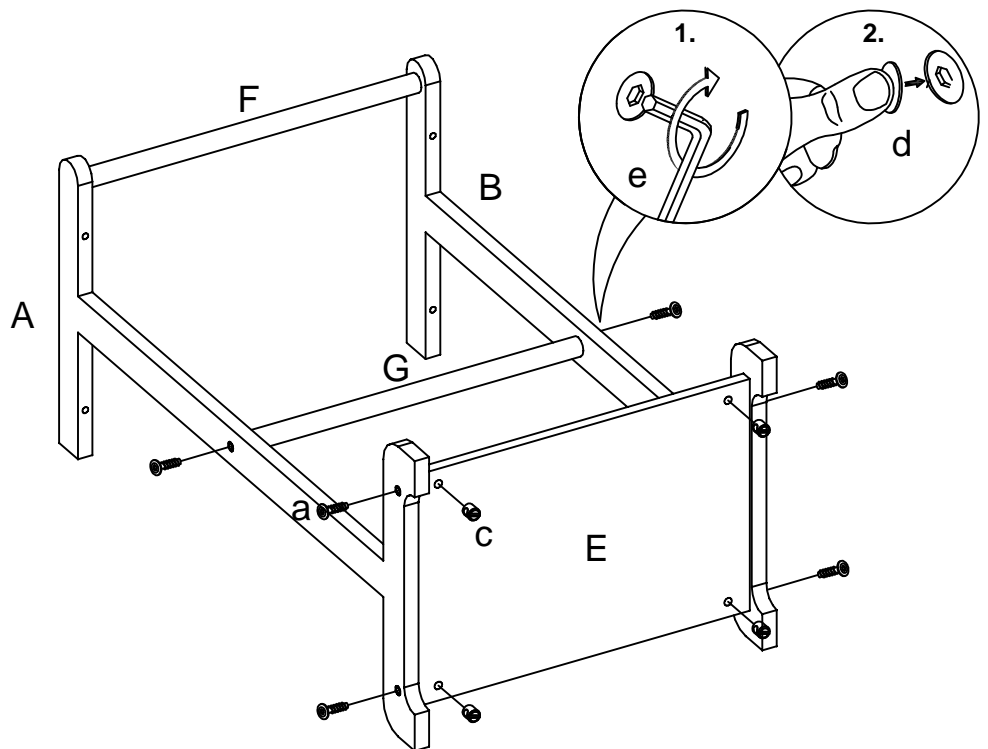
e X 1



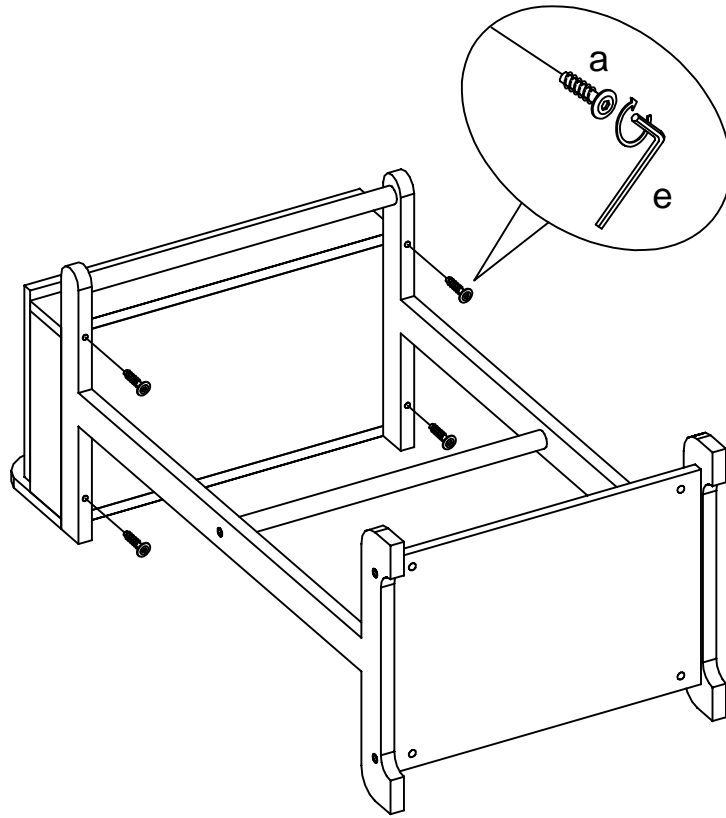
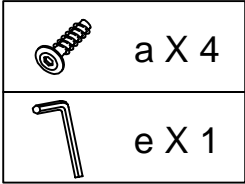
c X 4



d X 6



3



4

