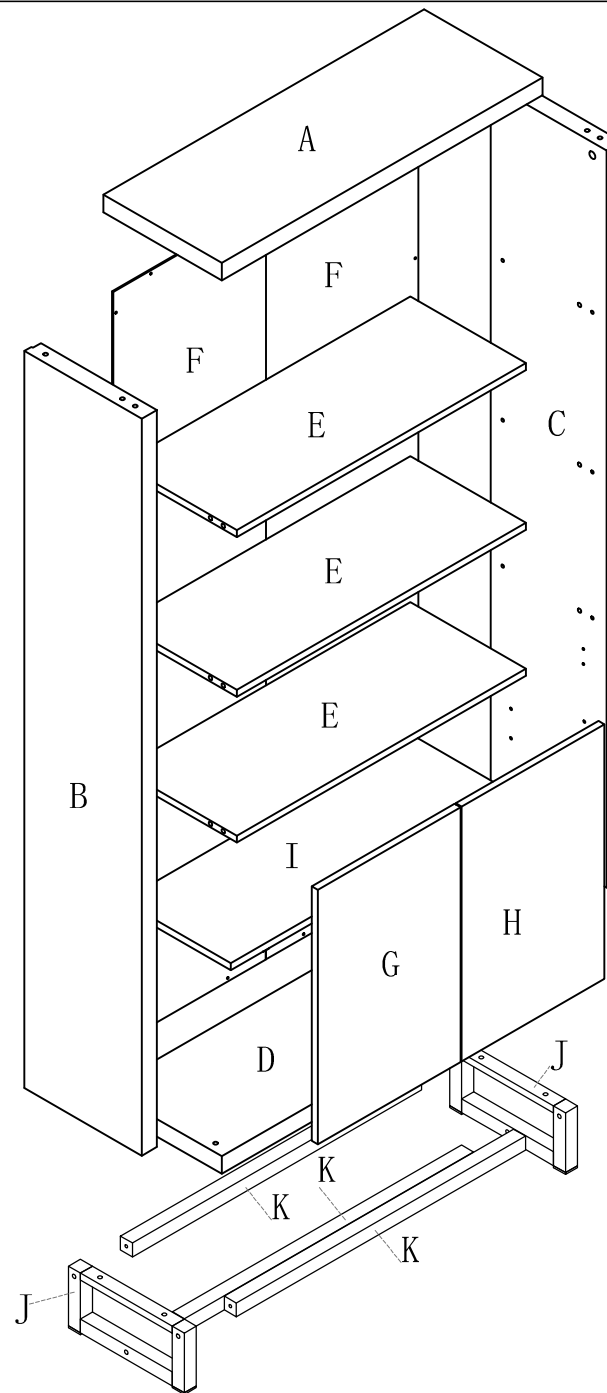
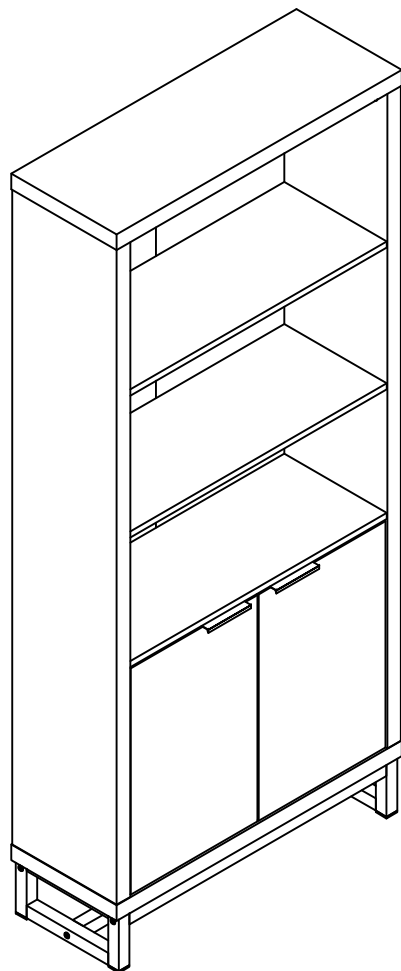


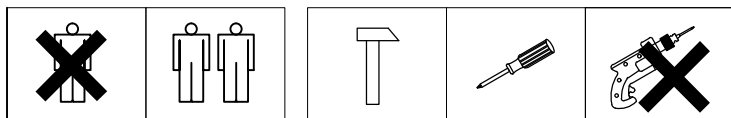
 **bonprix.**

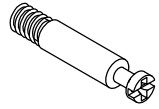
925560




FSC
 www.fsc.org
 100%
 Wood from well-
 managed forests
 FSC® C187780

A	x	1
B	x	1
C	x	1
D	x	1
E	x	3
F	x	2
G	x	1
H	x	1
I	x	1
J	x	2
K	x	3

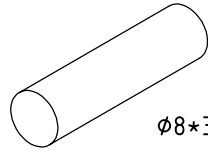




a x 16(+2)

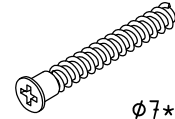


b x 16(+2)



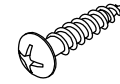
$\phi 8 \times 30$

c x 8(+1)



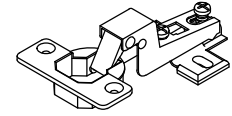
$\phi 7 \times 58$

d x 4

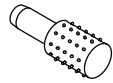


$\phi 3 \times 14$

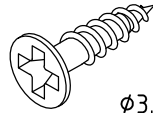
e x 34(+2)



f x 4

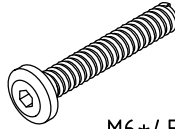


g x 4



$\phi 3.5 \times 14$

h x 20(+2)



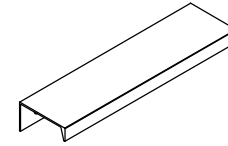
M6*45

i x 6(+1)



M6*30

j x 4

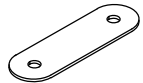


k x 2

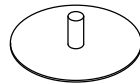


$\phi 10 \times 1$

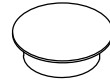
l x 2



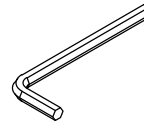
m x 2



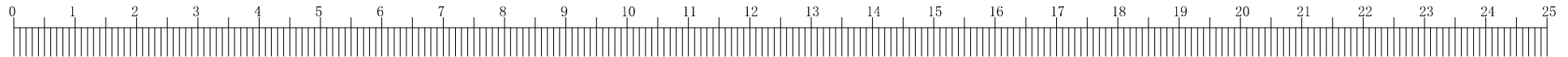
n x 12(+1)



o x 4

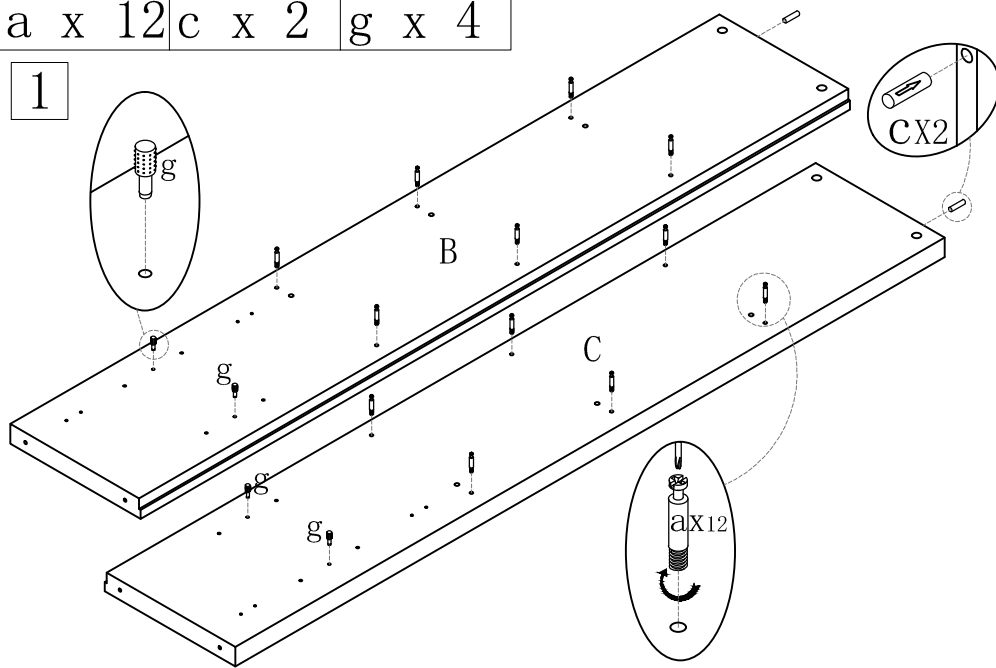


p x 1



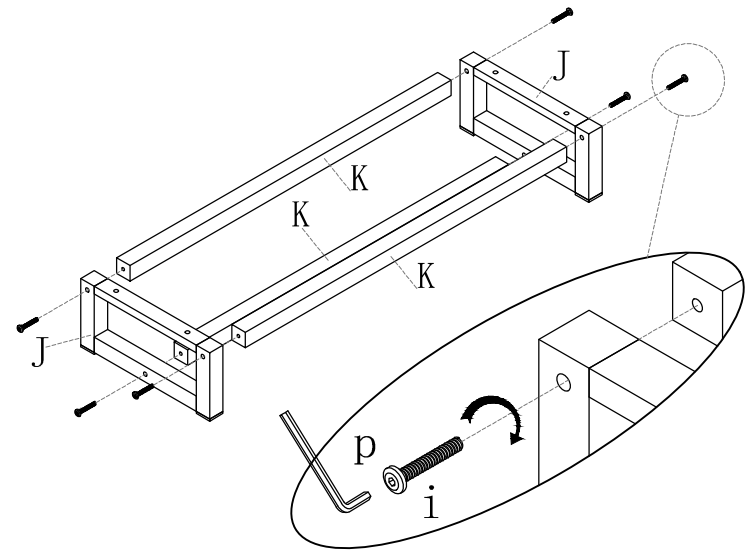
a x 12 | c x 2 | g x 4

1



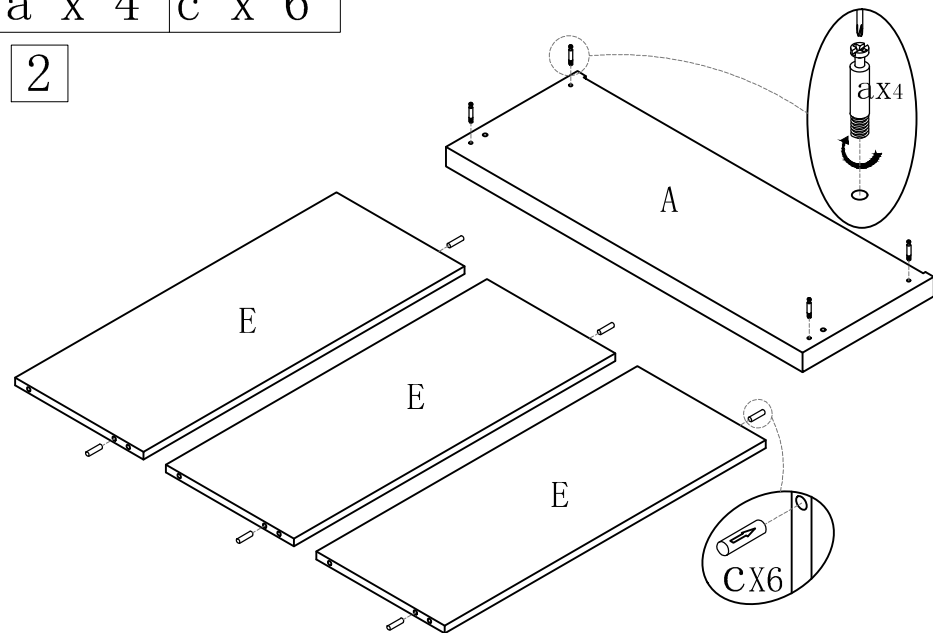
i x 6

3



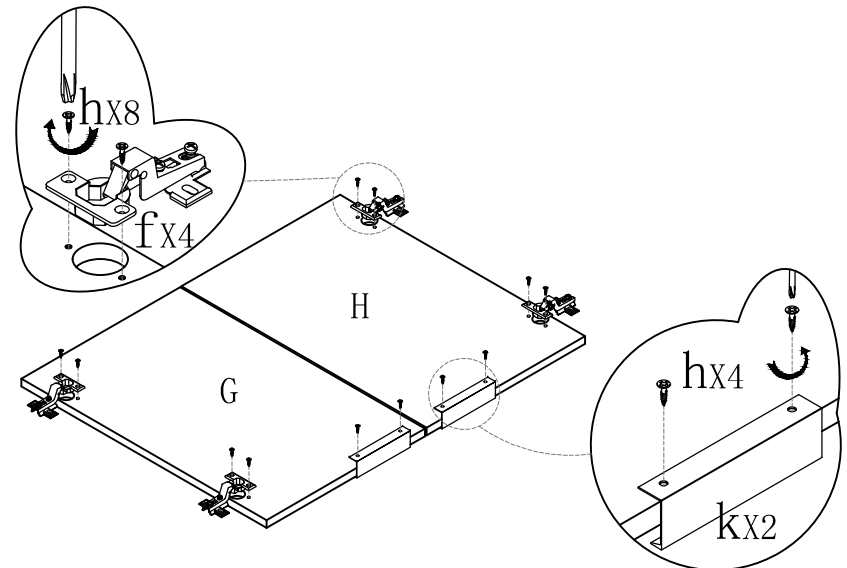
a x 4 | c x 6

2



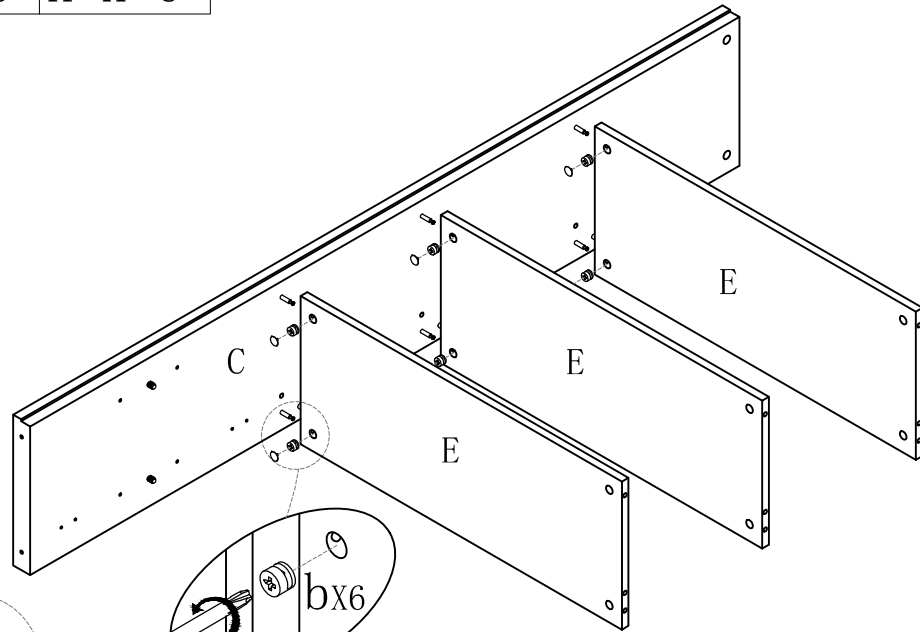
f x 4 | h x 12 | k x 2

4

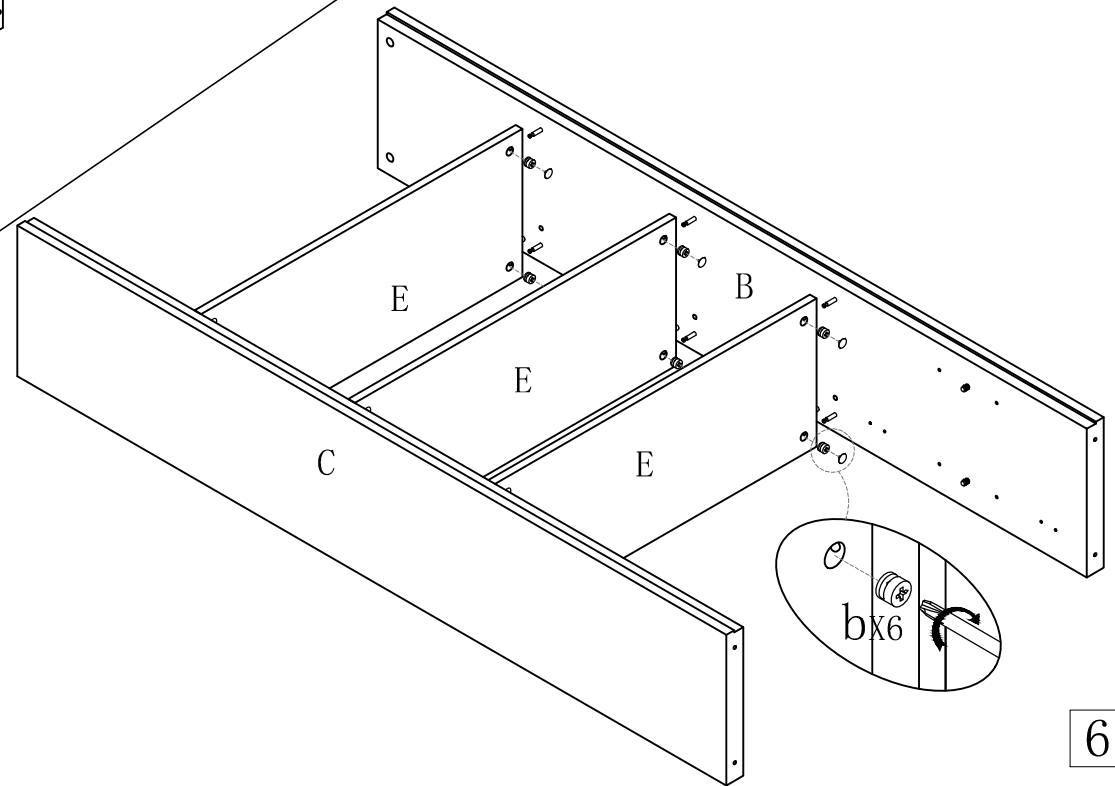


b x 6 | n x 6

5



- 1
- 2
- 3
- 4

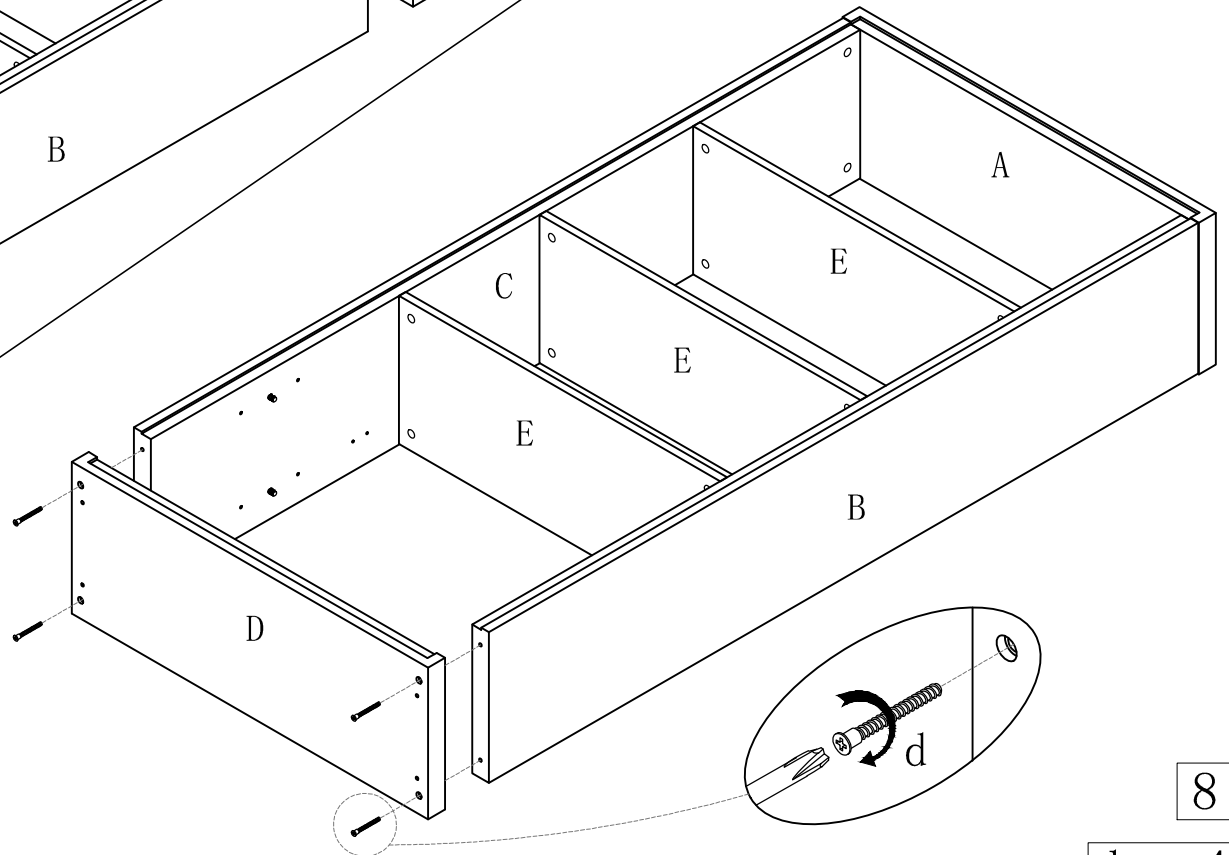
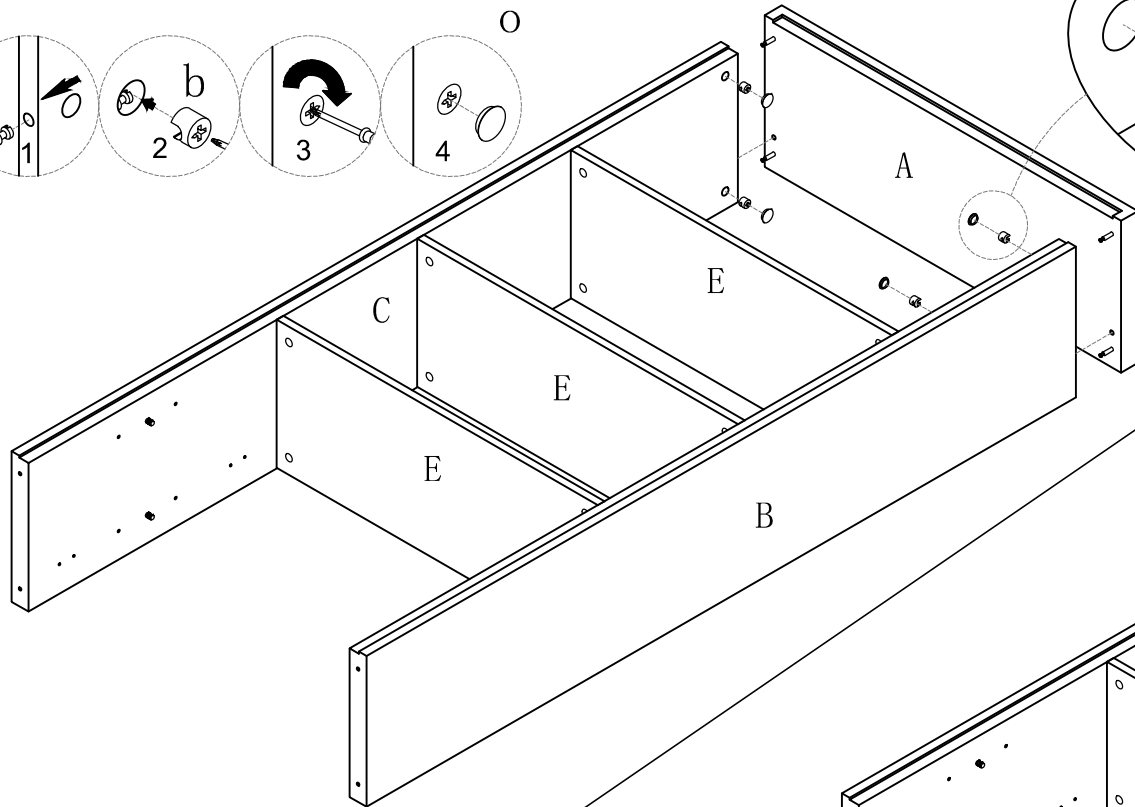
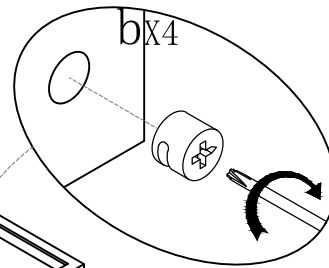
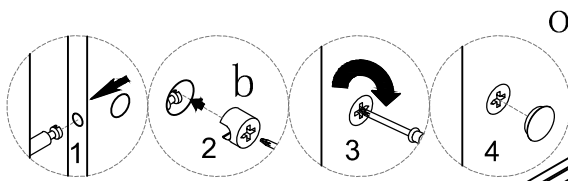


6

b x 6 | n x 6

b x 4 | o x 4

7

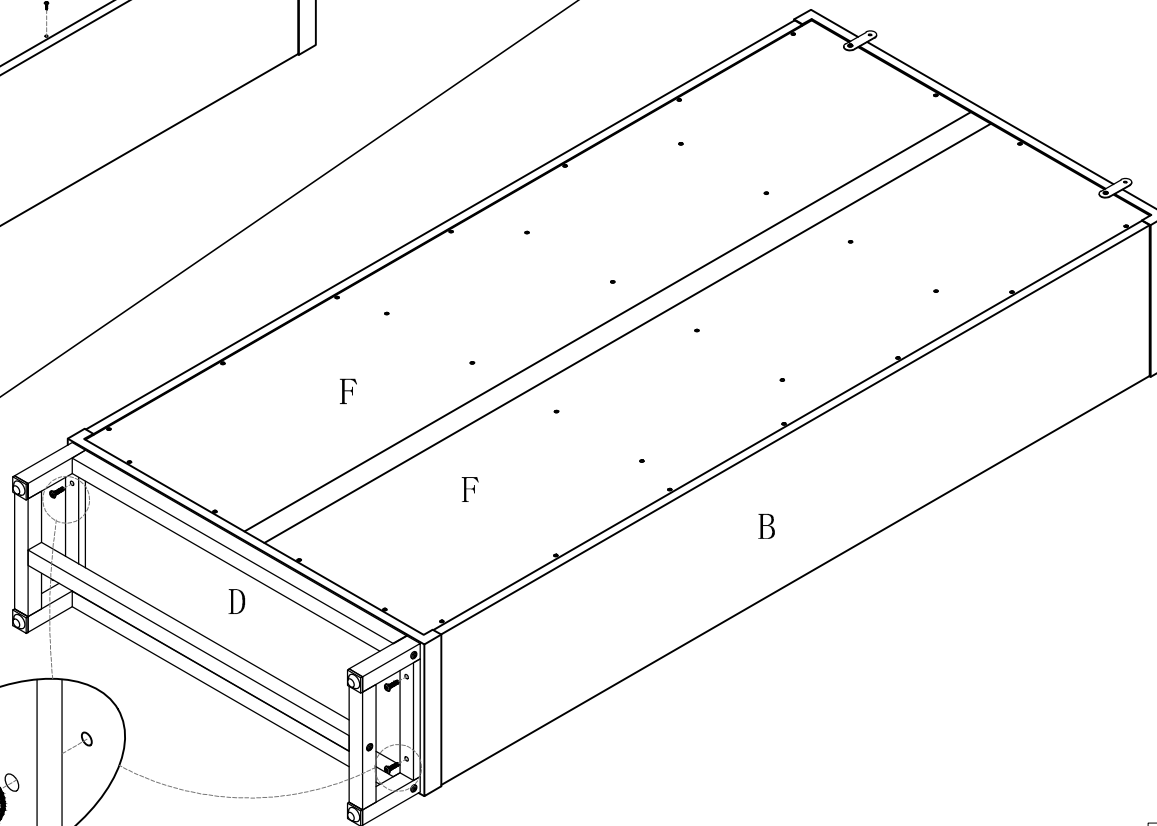
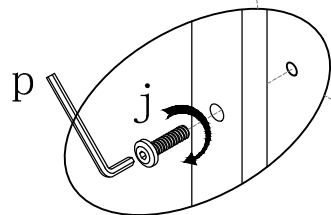
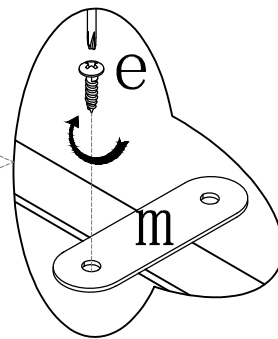
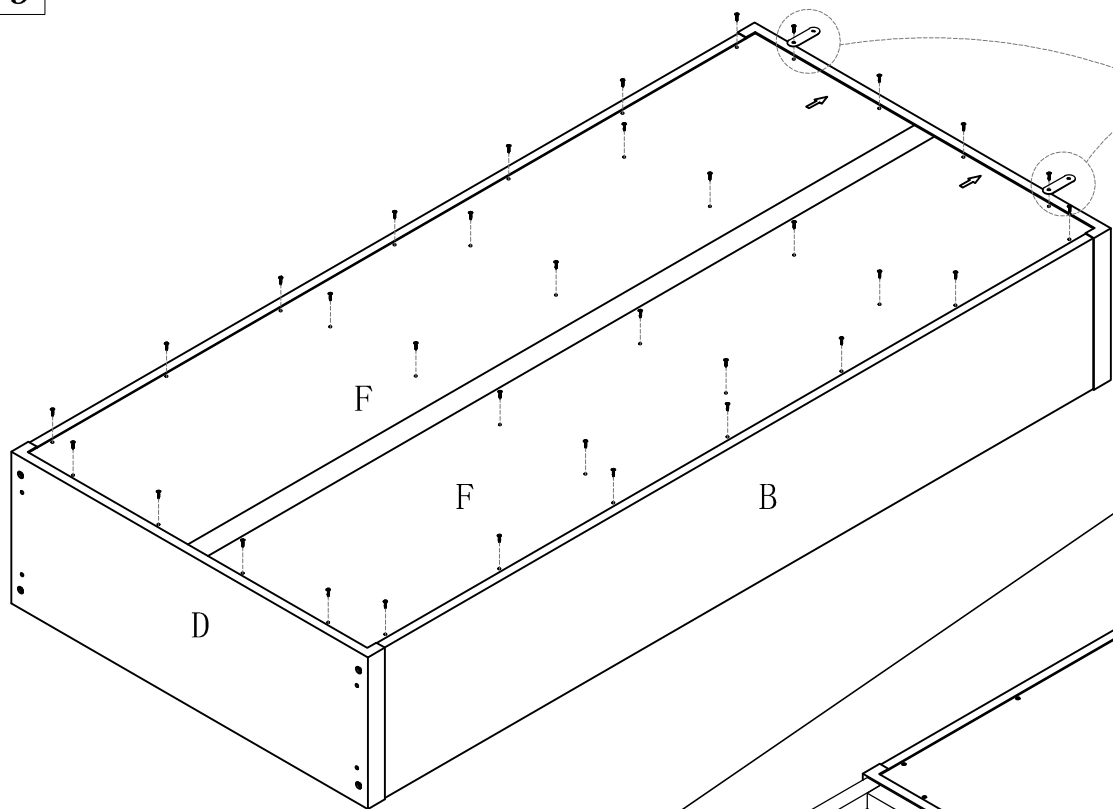


8

d x 4

e x 34 m x 2

9

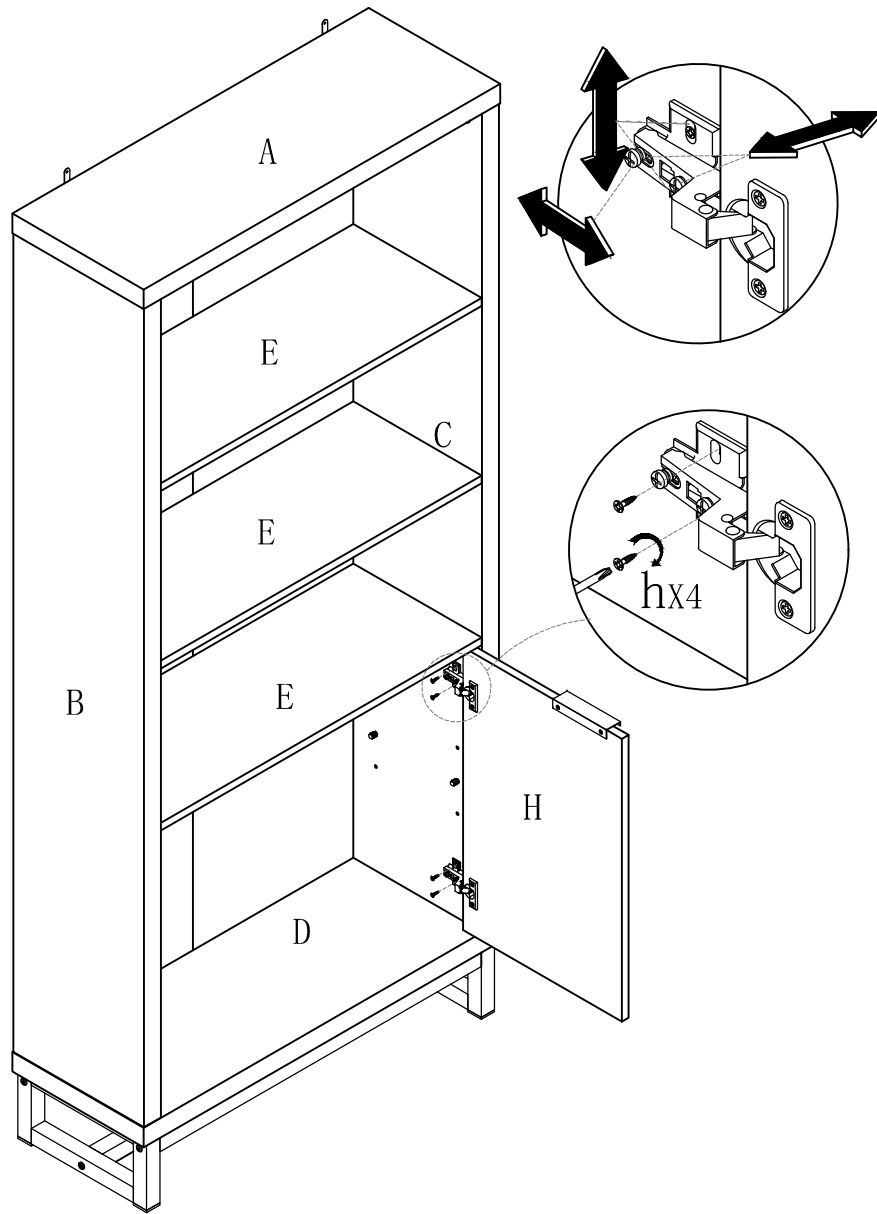


10

j x 4

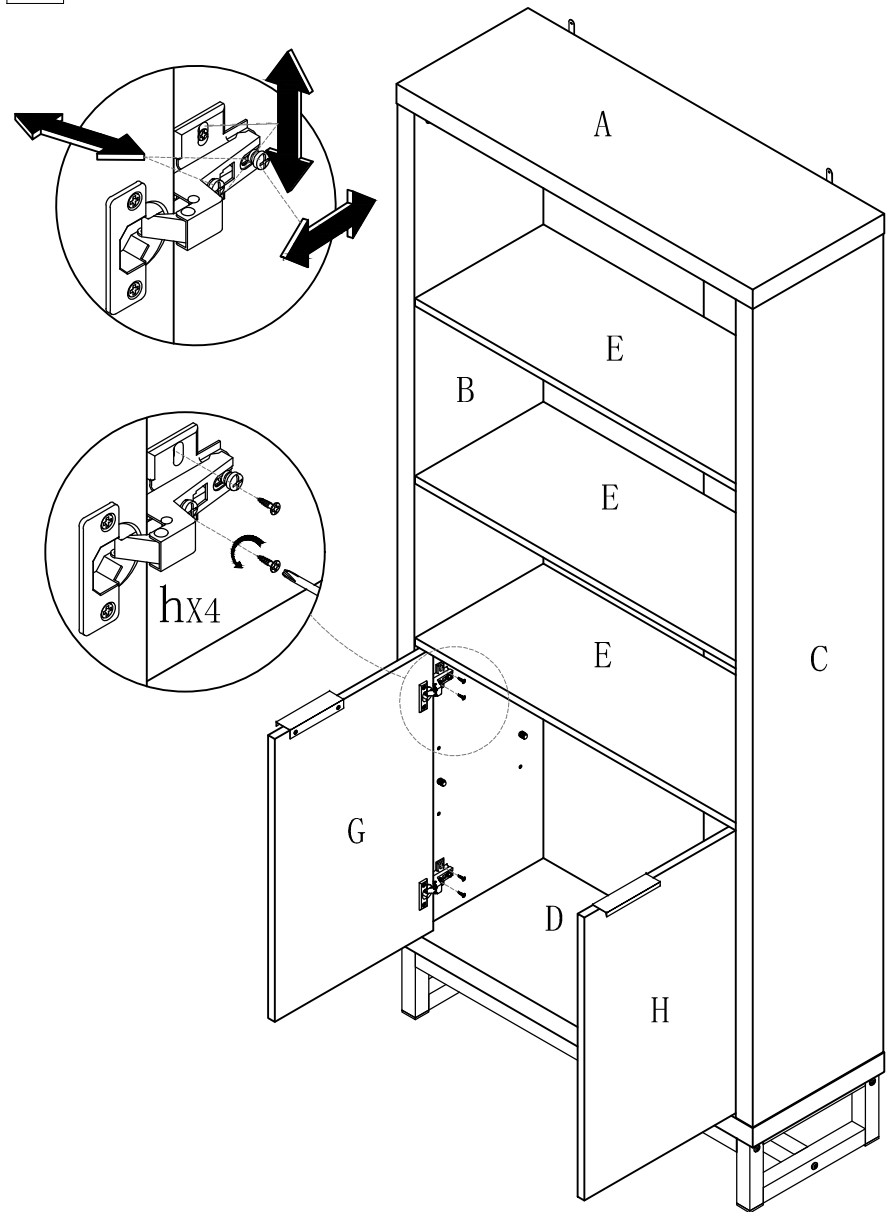
h x 4

11



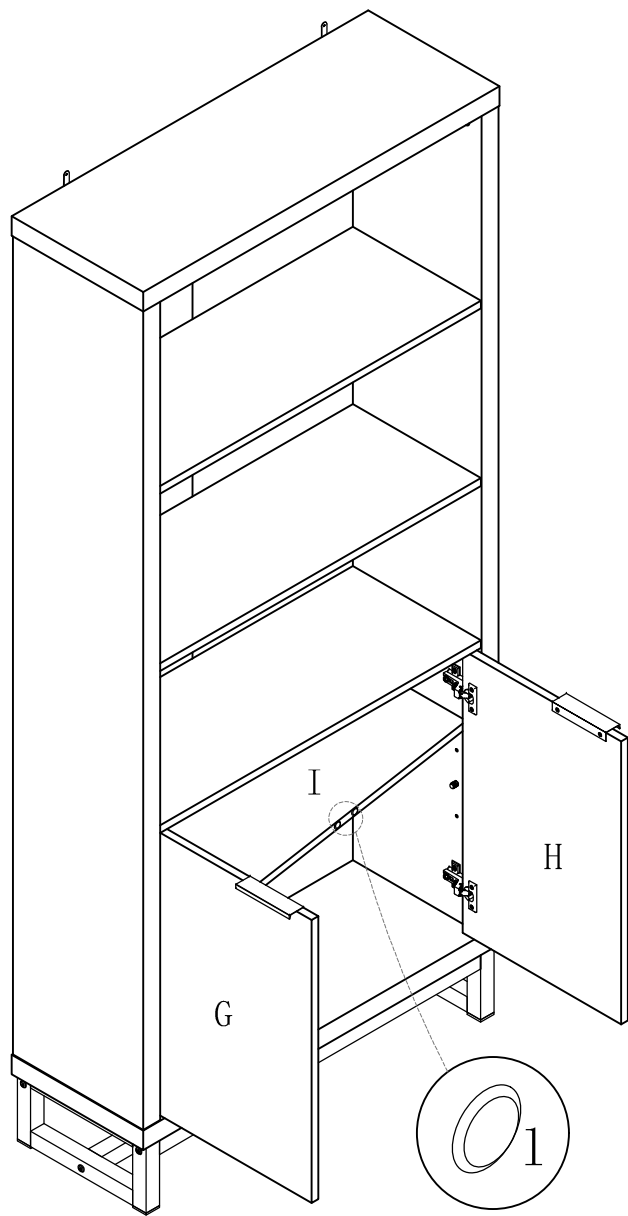
h x 4

12



1 x 2

13



14

