



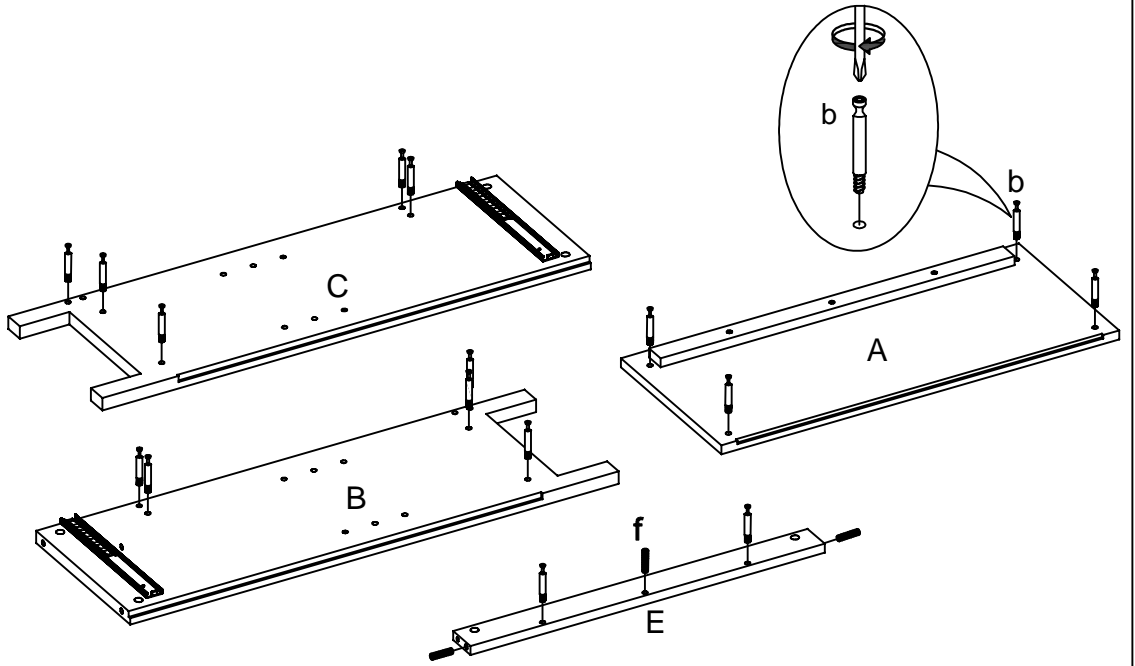
 AX 1	 BX 1	 CX 1	 DX 3
 EX 2	 FX 1	 GX 1	 HX 1
 JX 1	 KX 1	 MX 1	 NX 1
 PX 1	 QX 1	 RX 1	 SX 1

 D15	 a X 16	 b X 16	 c X 4	 M4X15MM d X 16	 M4X25MM e X 4	 f X 3
 M3X12MM g X 24	 M3X15MM h X 1	 j X 1	 k X 1	 m X 4	 n X 4	
 p X 4	 D15 q X 6	 r X 6	 s X 8	 M4X22MM t X 4		




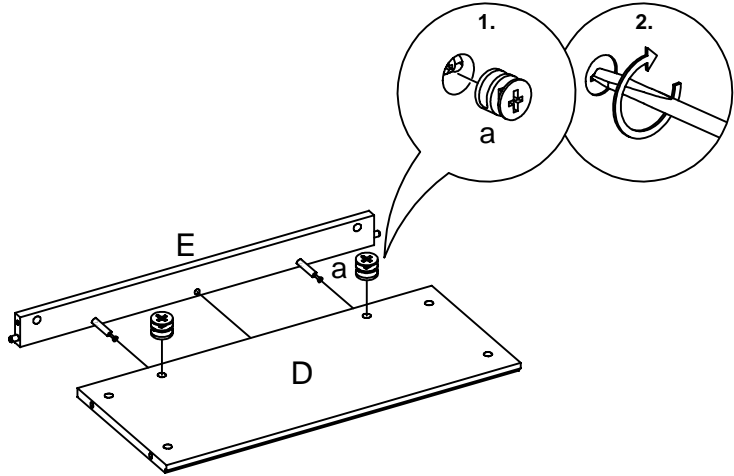
1

-  b X 16
-  f X 3





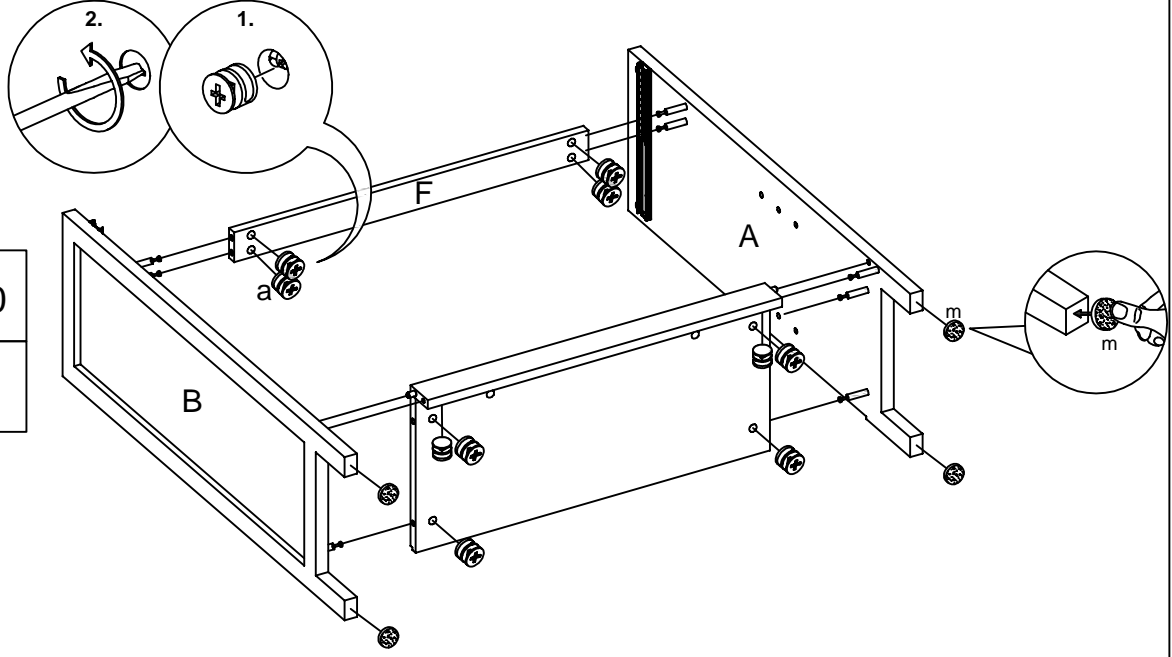
2

-  a X 2






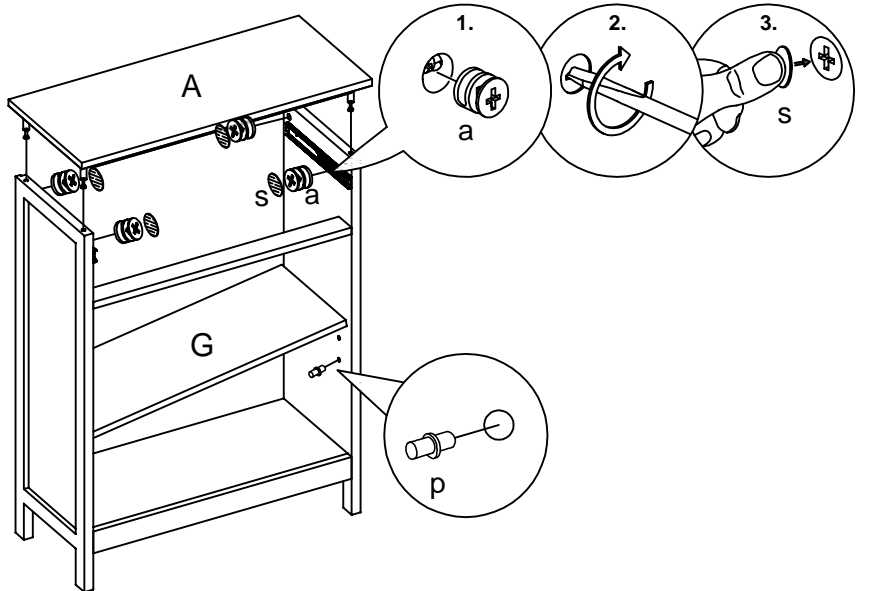
3

-  a X 10
-  m X 4









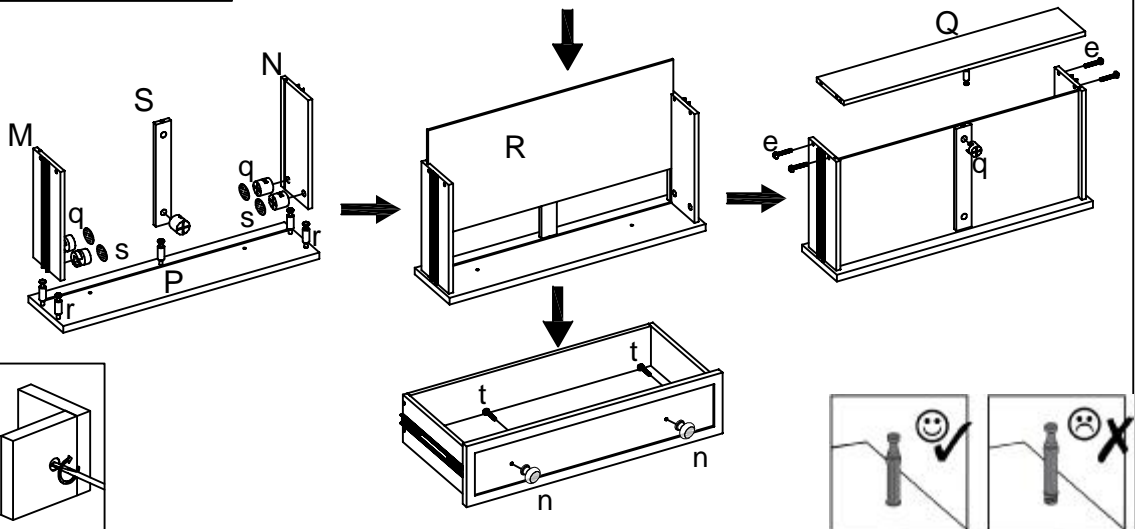
4

	a X 4
	p X 4
	s X 4





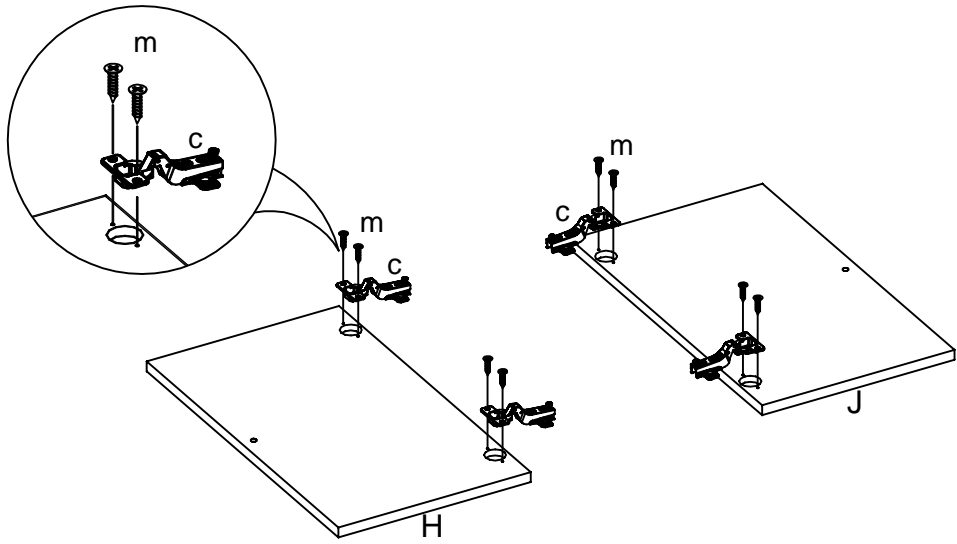
5

	s X 4		M4X22MM t X 2
	M4X25MM e X 4		n X 2
	q X 6		r X 6






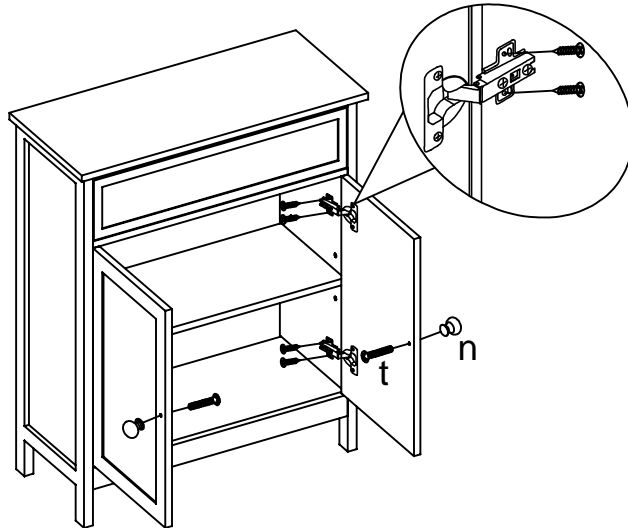
6

	M4X15MM m X 8
	c X 4







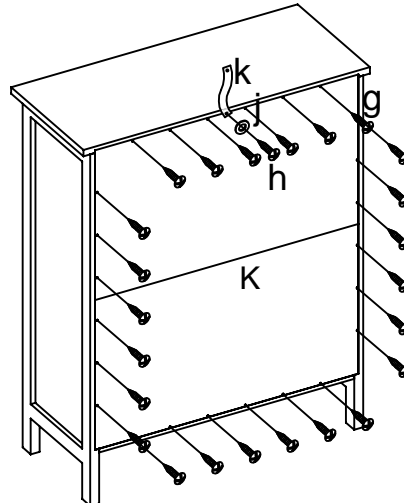
7

M4X15MM		m X 8
M4X22MM		t X 2
		n X 2



8

	k X 1	
	j X 1	
M3X15MM		h X 1
M3X12MM		g X 24



9

Türen einstellen (Scharniere justieren)
 Adjusting the doors (adjusting the hinges)
Régler les portes (ajuster les charnières)
 Sistemare le porte (regolare le cerniere)
Deuren instellen (scharnieren afstellen)
 Nastawi drzwi (wyregulowa zawiasy)
Vyrovnejte dvi ka (se i te záv sy)
 Nastavenie dveri (nastavenie závesov)
állítsa be az ajtókat (állítsa be a zsanérokot)
 Reglare u i (ajustare balamale)
Kaplarn ayarlanmas (mente elerin seviye ayar)
 Регулировка дверей (регулировка шарнира)

